


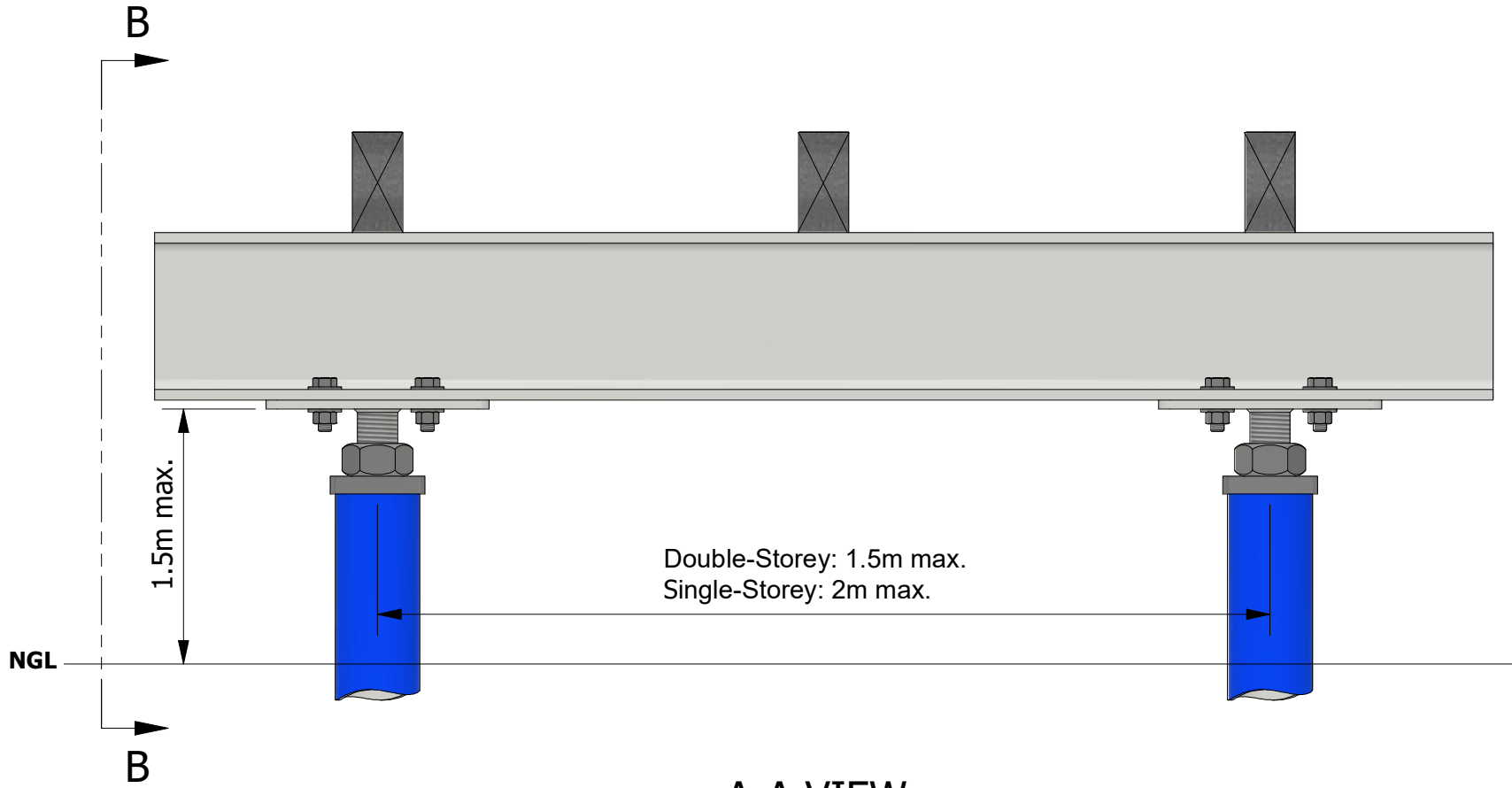
PLAN VIEW

KEY ASPECTS TO NOTE:

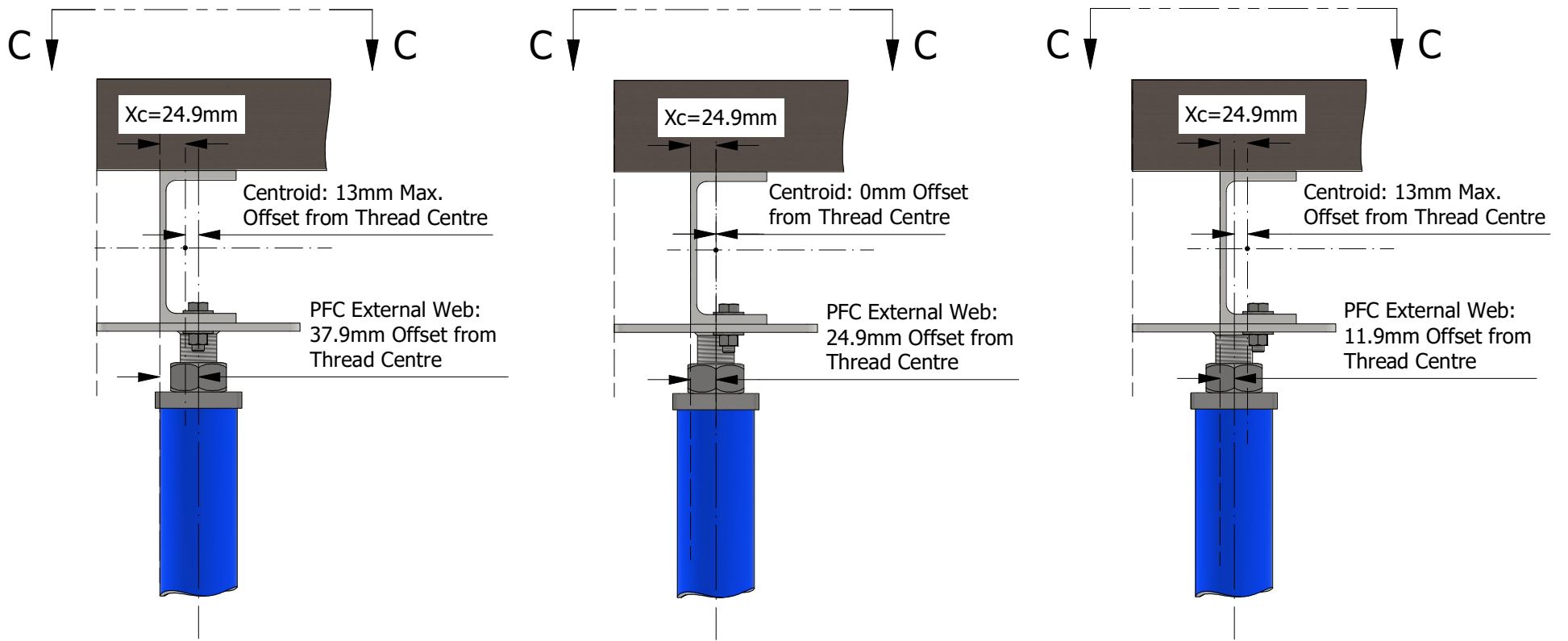
- The Katana Raised Floor System allows for a maximum SWL of 80kN.
- Ensure all loads are positioned at the centre of the piles, with a permissible offset of $\pm 13\text{mm}$.
- A lock nut must be installed on each pile within the raised floor systems.
- A general guideline is to maintain Katana Raised Floor Systems at a height no greater than 1.5m above the ground.
- For double-storey structures, the Katana Raised Floor Pile spacing should not exceed 1.5m, while for single-storey buildings, it should not exceed 2m.
- The default coating system for the Katana Raised Floor System exposed to environments with corrosivity factors C1, C2 and C3 is galvanising.
- Collaborate with Katana to ensure the appropriate setout of piles and confirm their locations during and after installation completion.

DRAWN JL			
CHECKED MA			
DATE 15/10/2024		TITLE Typical Raised Floor System Plan	
SIZE A3	DWG NO PFC_000	REV C	
SCALE 1 / 12		SHEET 1 OF 14	


OPTION 1: 200x200x8 SLOTTED BEARER PLATE



A-A VIEW



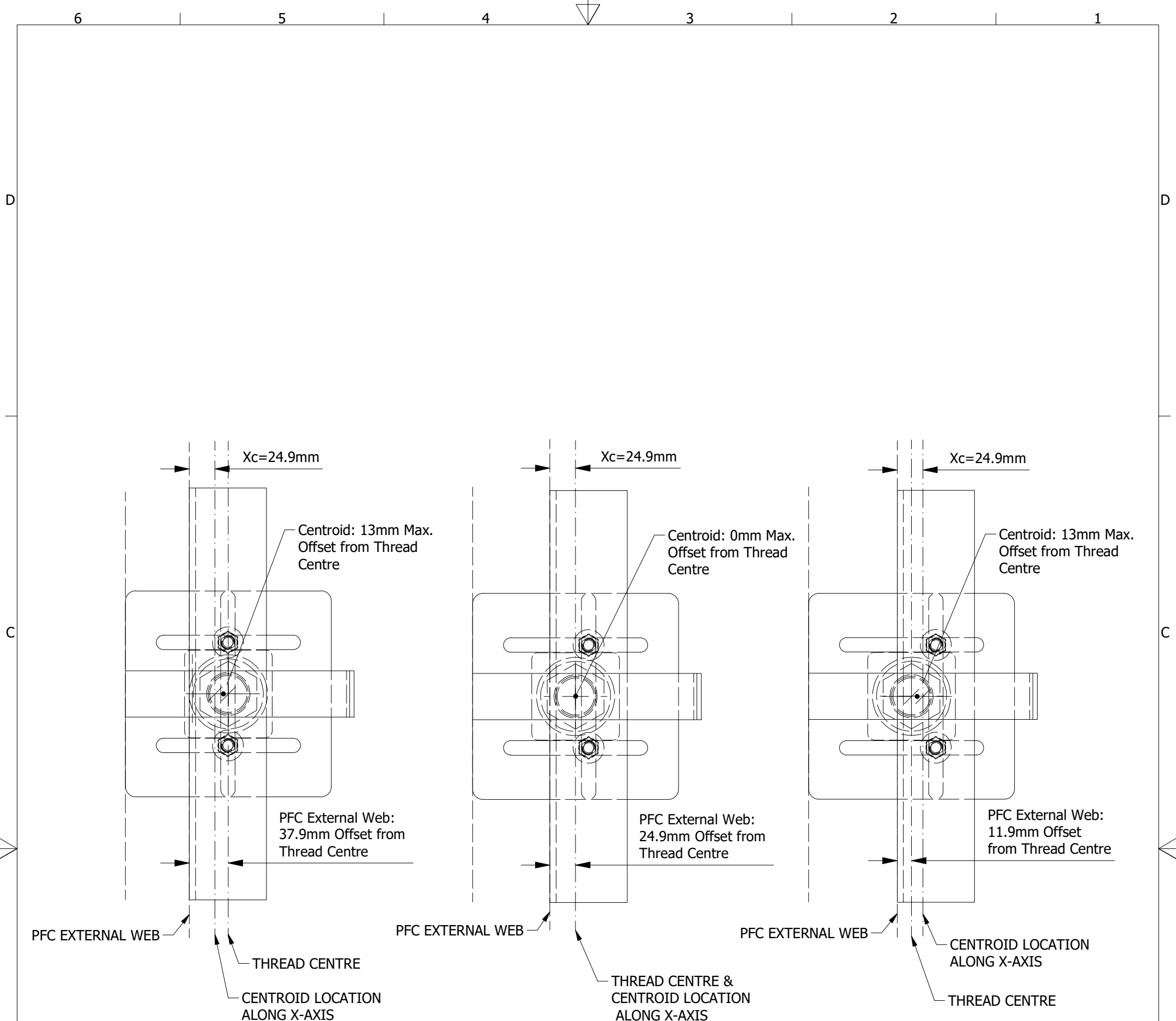
B-B VIEW

DRAWN			
JL			
CHECKED			
MA			
DATE	TITLE		
15/10/2024	Raised Floor & PFC Section Views - Sheet 1		
	SIZE	DWG NO	REV
	A3	PFC_001	C
	SCALE	1 / 6	SHEET 2 OF 14




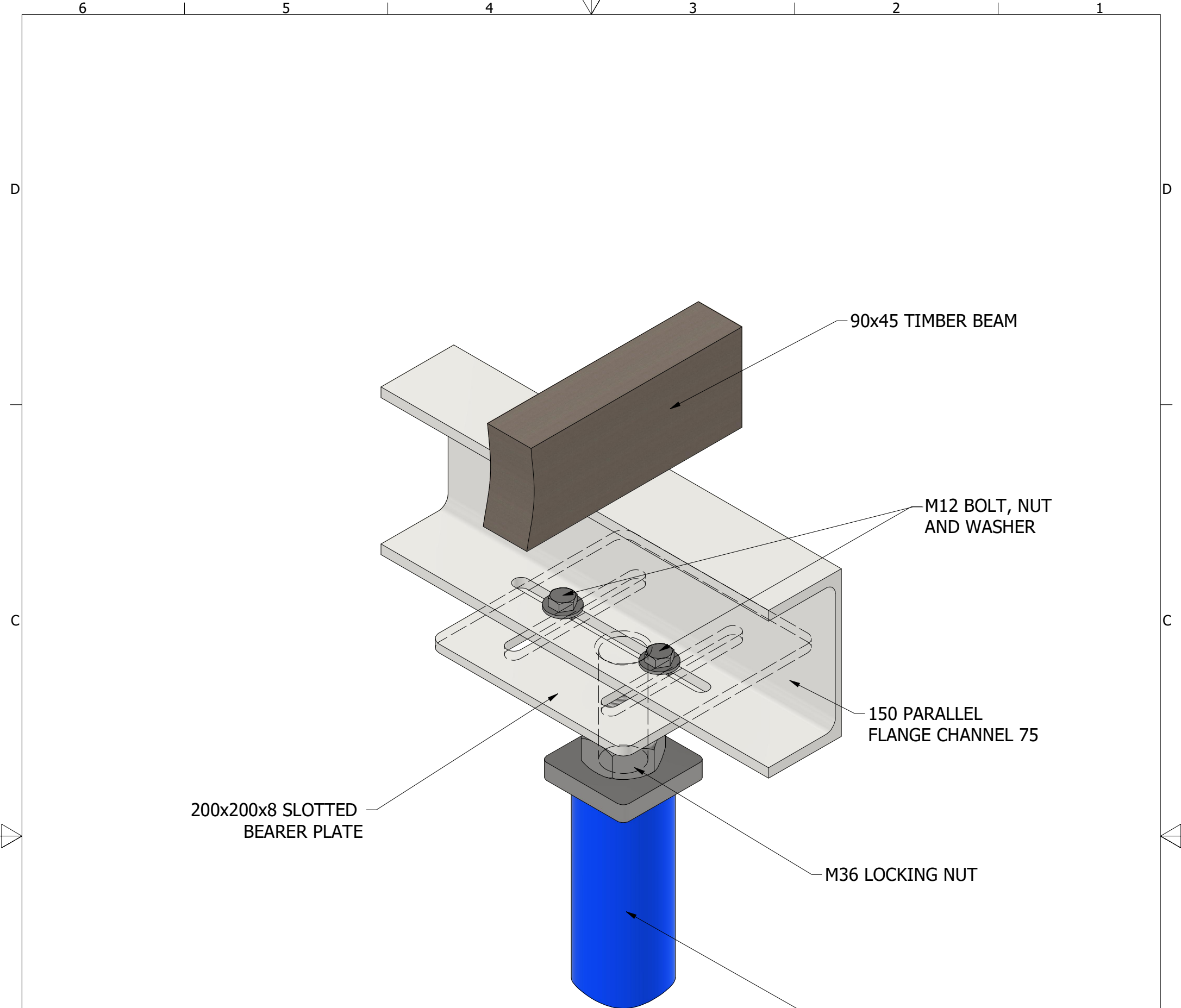
TITLE
Raised Floor & PFC Section Views - Sheet 1

SIZE	DWG NO	REV
A3	PFC_001	C
SCALE	1 / 6	SHEET 2 OF 14




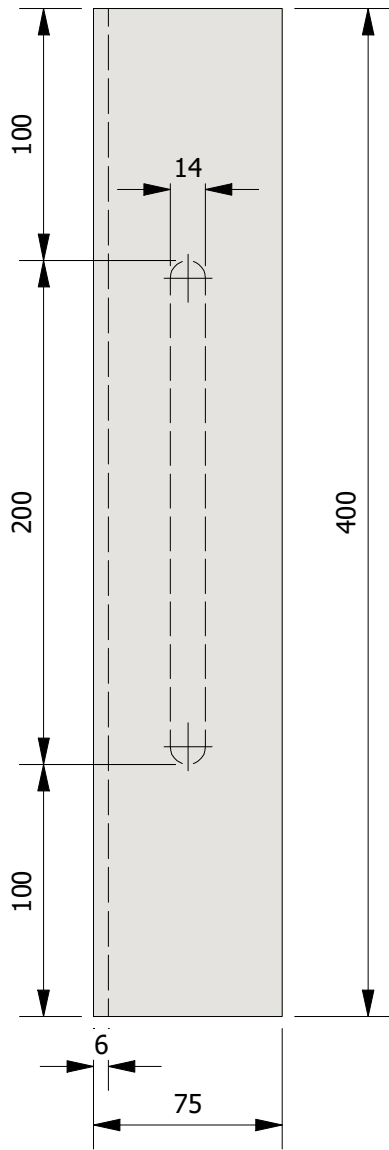
C-C VIEW

DRAWN JL			
CHECKED MA			
DATE 15/10/2024		TITLE Raised Floor & PFC Section Views - Sheet 2	
SIZE A3	DWG NO PFC_002	REV C	
SCALE 1 / 4		SHEET 3 OF 14	

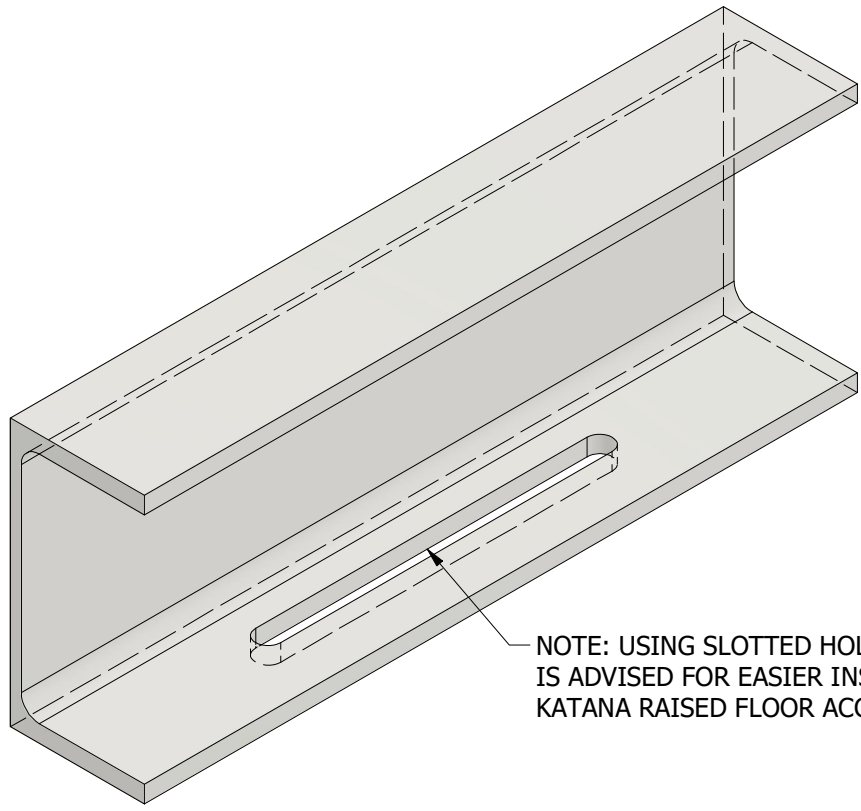


ISOMETRIC VIEW

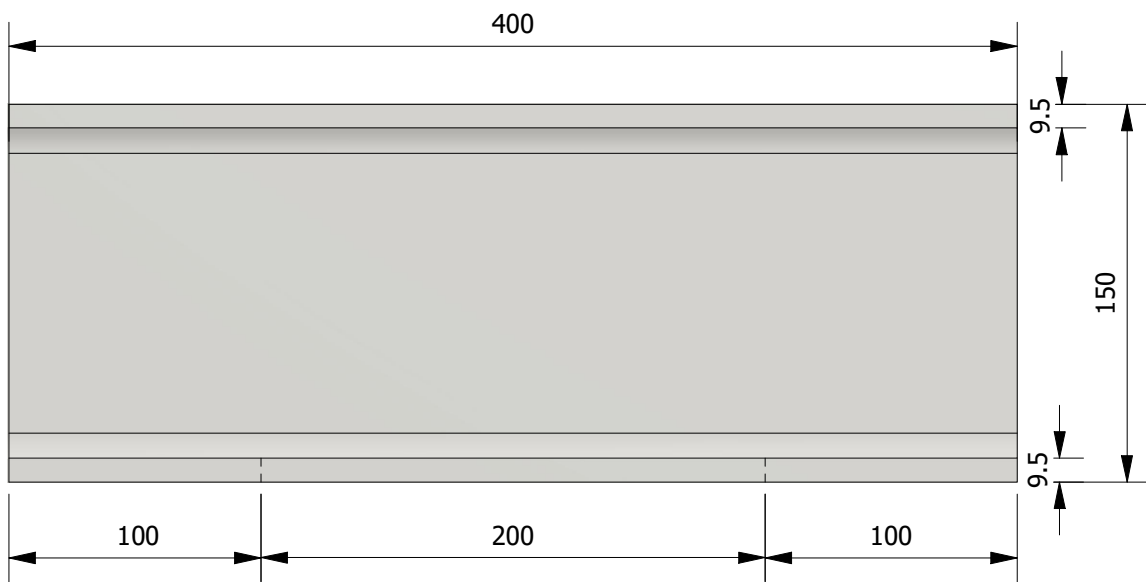
DRAWN JL			
CHECKED MA			
DATE 15/10/2024		TITLE Raised Floor & PFC 3D Assembly View - Sheet 1	
SIZE A3	DWG NO PFC_003	REV C	
SCALE 1 / 3		SHEET 4 OF 14	



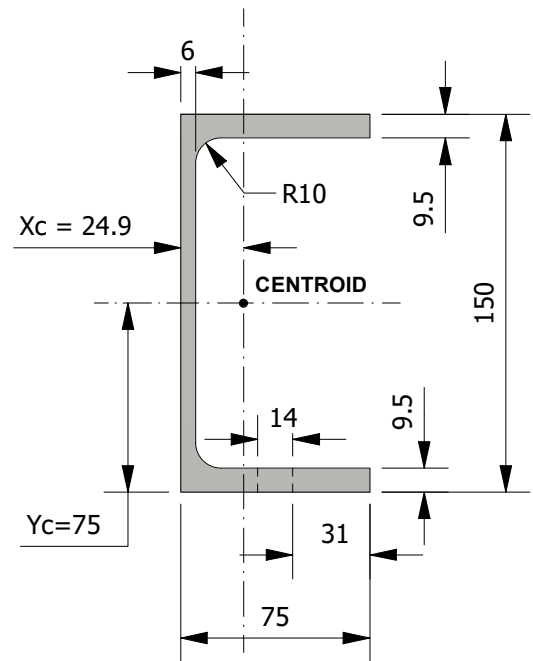
TOP VIEW



ISOMETRIC VIEW
(FOR 400mm LONG SECTION)




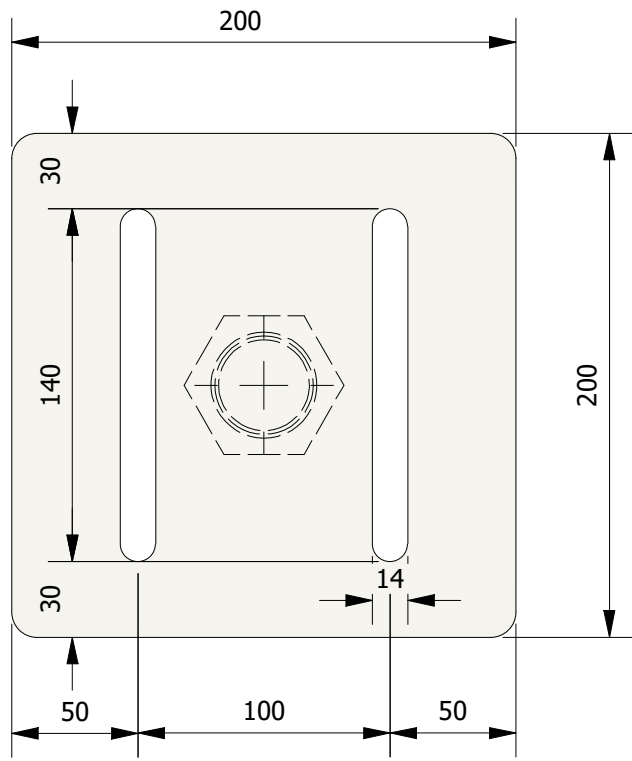
FRONT VIEW



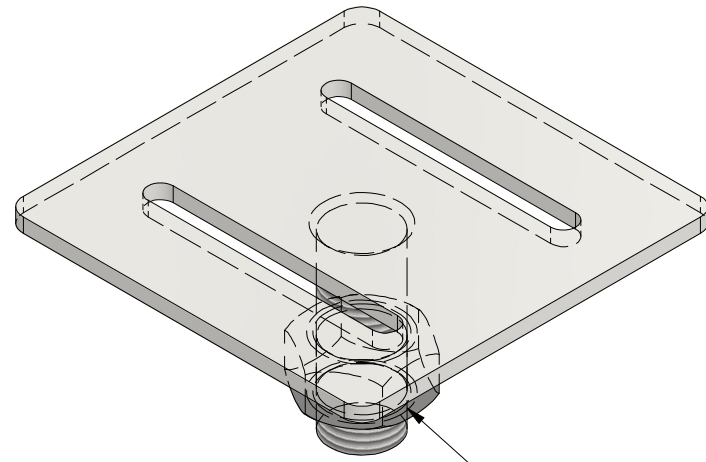
SIDE VIEW

DRAWN	JL
CHECKED	MA
DATE	15/10/2024

		
TITLE 150 Parallel Flange Channel 75		
SIZE	DWG NO	REV
A3	PFC_004	C
SCALE	1 / 3	SHEET 5 OF 14

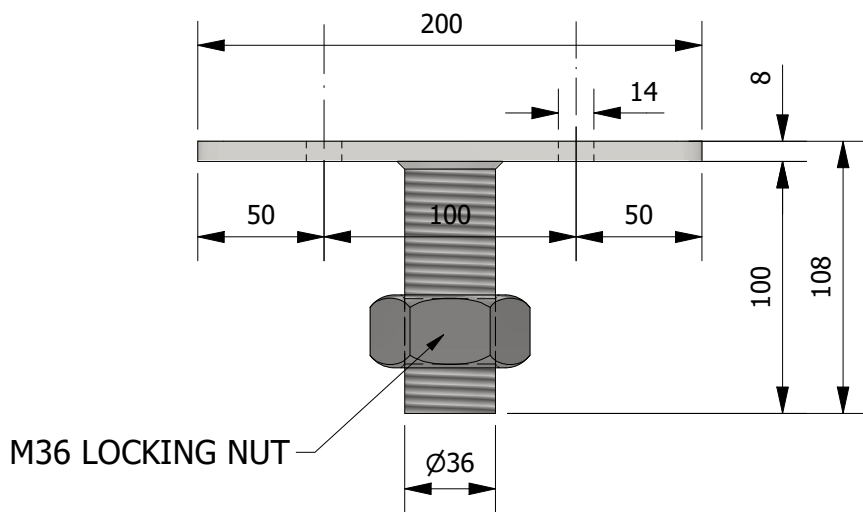


TOP VIEW



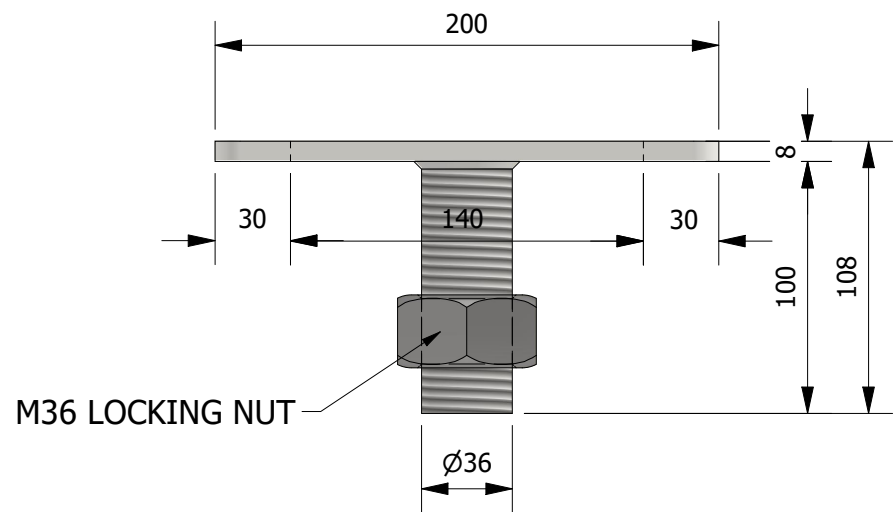
M36 LOCKING NUT

ISOMETRIC VIEW




M36 LOCKING NUT

FRONT VIEW

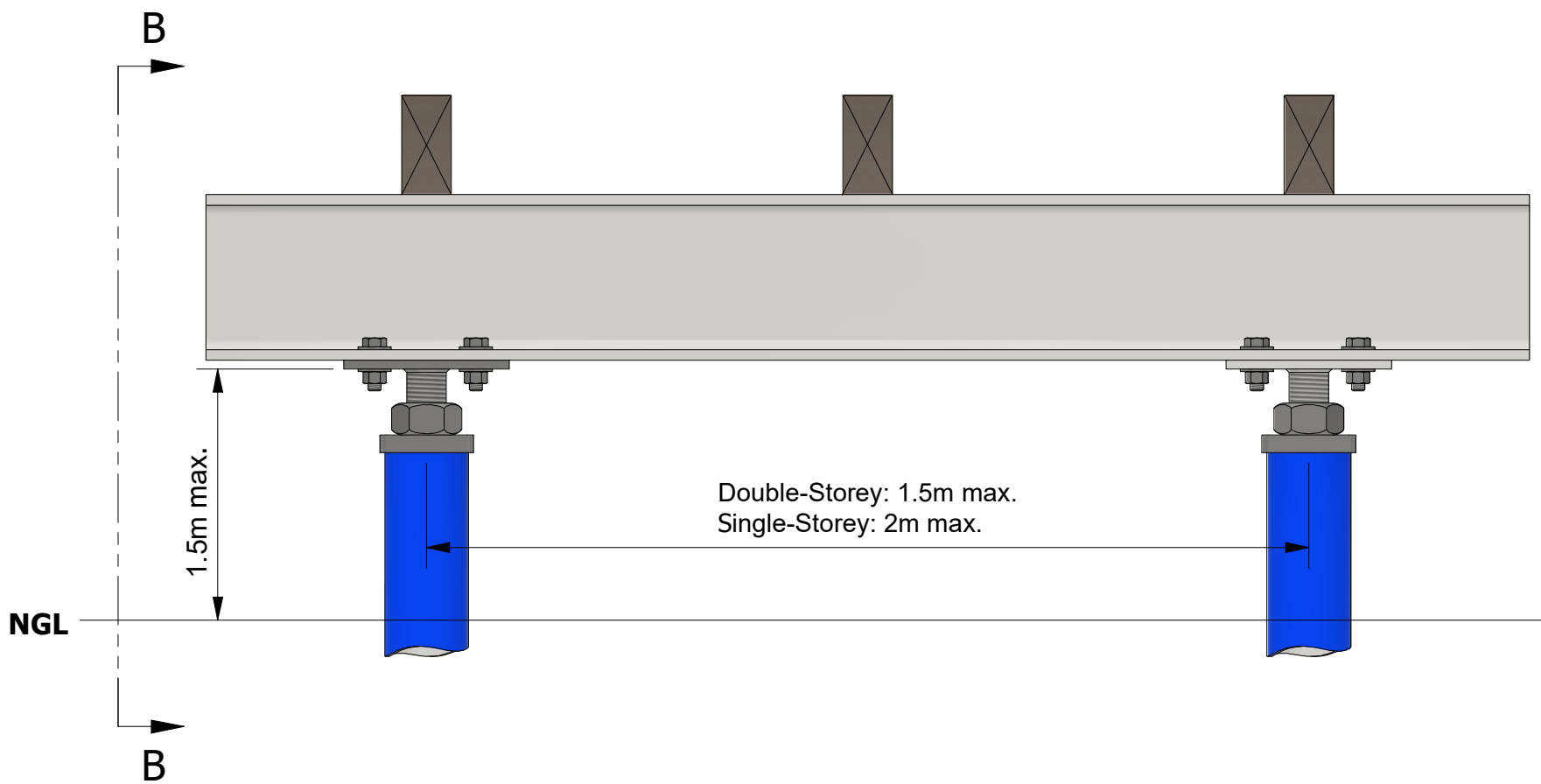


M36 LOCKING NUT

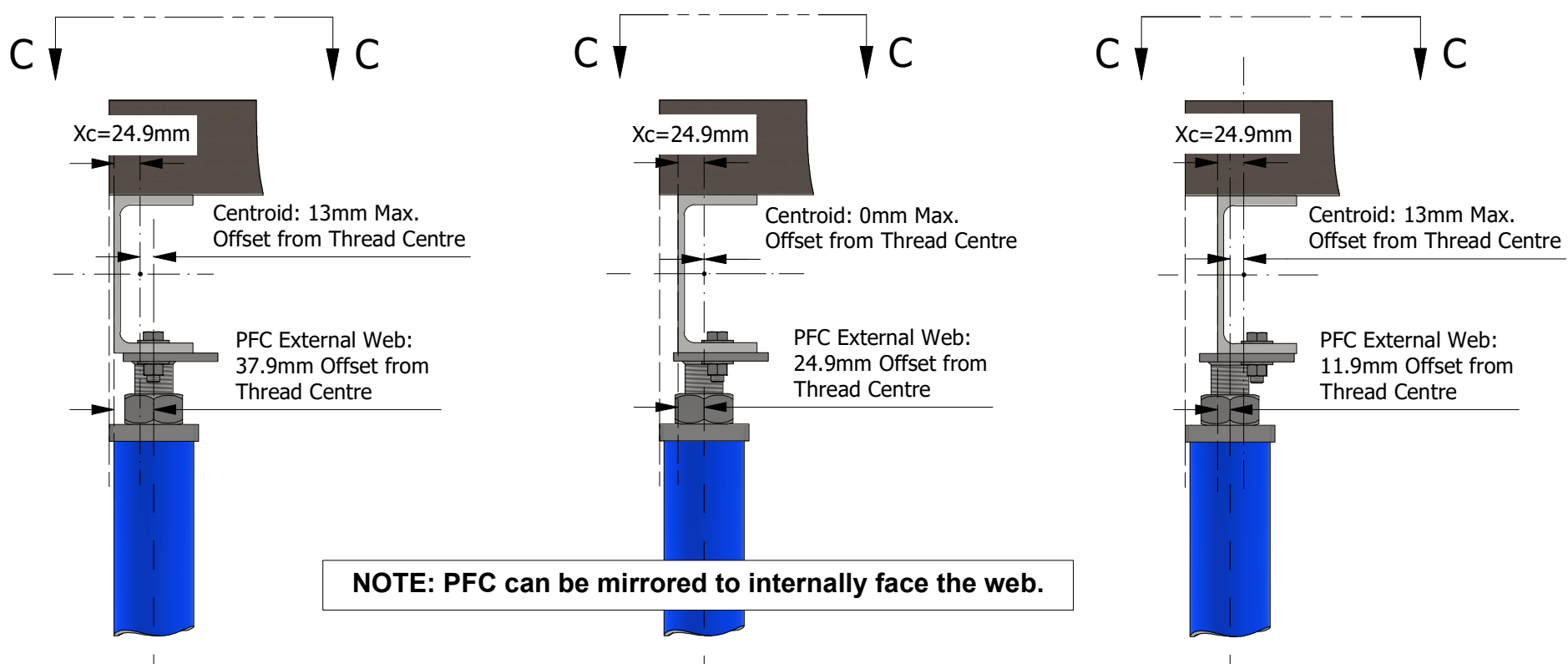
SIDE VIEW

DRAWN JL			
CHECKED MA			
DATE 15/10/2024		TITLE 200x200x8 Slotted Bearer Plate	
SIZE A3	DWG NO PFC_005	REV C	
SCALE 1 / 3	SHEET 6 OF 14		

OPTION 2: 150x100x8 OFFSET SLOTTED BEARER PLATE




A-A VIEW



NOTE: PFC can be mirrored to internally face the web.

B-B VIEW

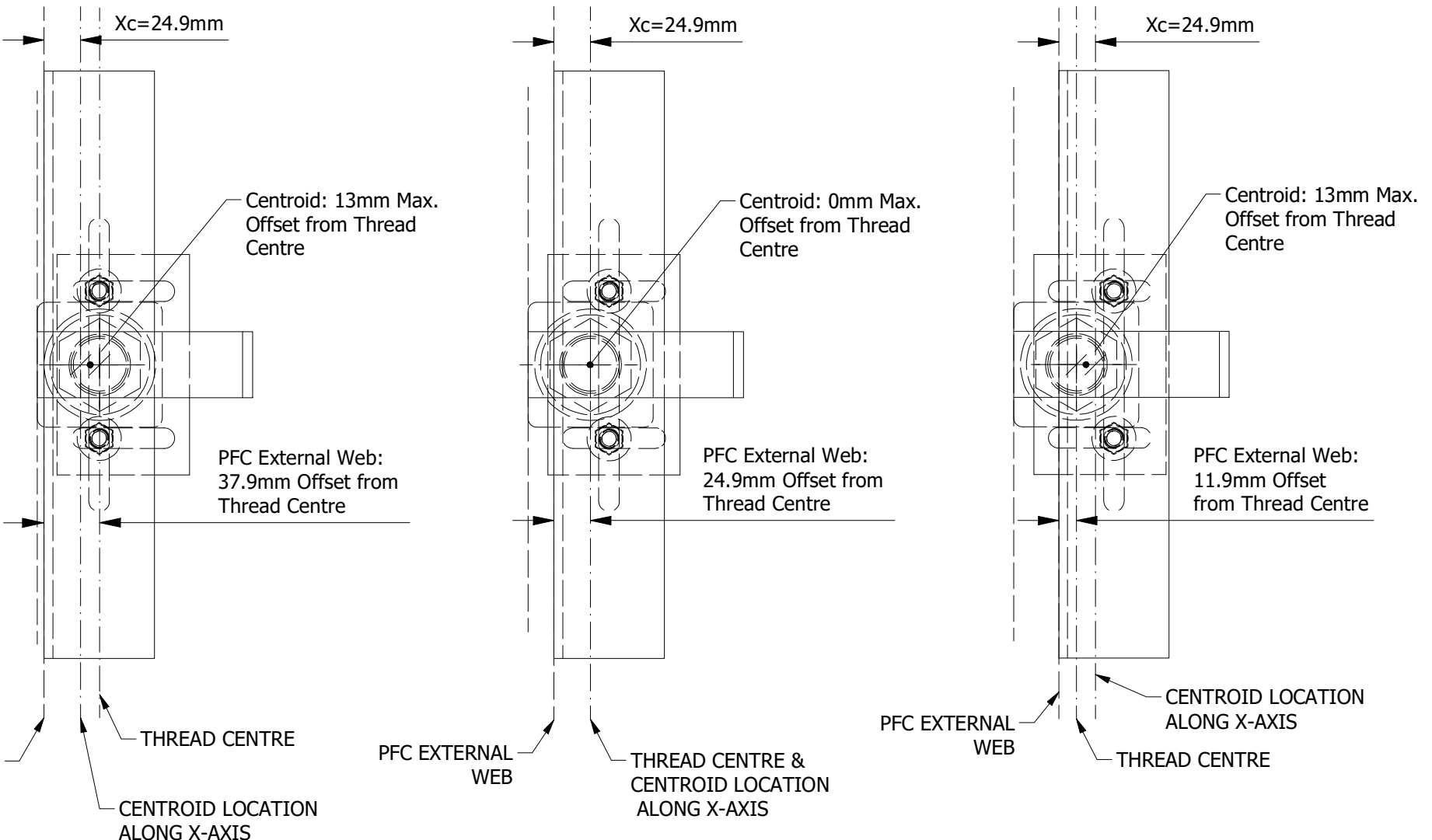
DRAWN			
JL			
CHECKED			
MA			
DATE	TITLE		
15/10/2024	Raised Floor & PFC Section Views - Sheet 3		
	SIZE	DWG NO	REV
	A3	PFC_006	C
	SCALE	1 / 6	SHEET 7 OF 14




TITLE
Raised Floor & PFC Section Views - Sheet 3

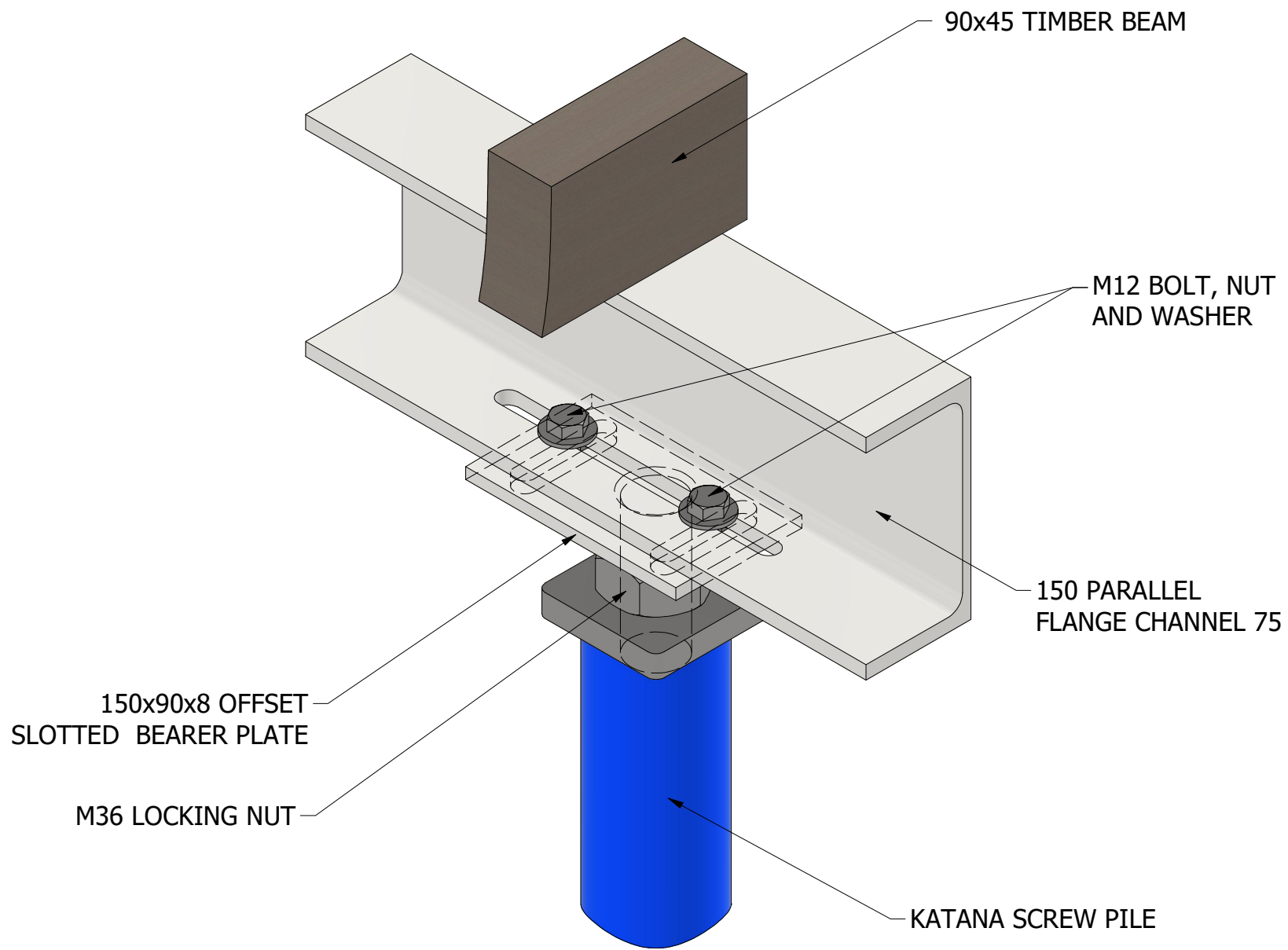
SIZE	DWG NO	REV
A3	PFC_006	C

SCALE 1 / 6 SHEET 7 OF 14




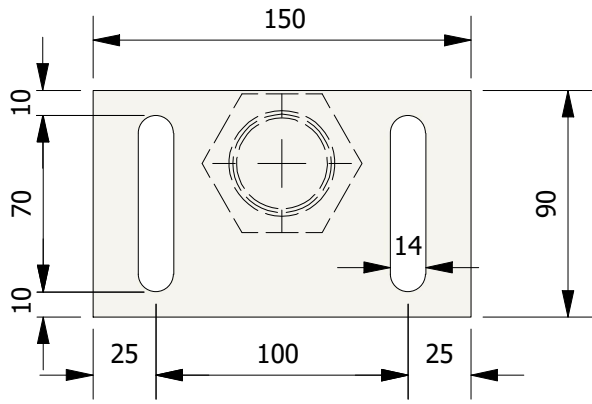
C-C VIEW

DRAWN JL			
CHECKED MA			
DATE 15/10/2024		TITLE Raised Floor & PFC Section Views - Sheet 4	
SIZE A3	DWG NO PFC_007	REV C	
SCALE 1 / 4		SHEET 8 OF 14	

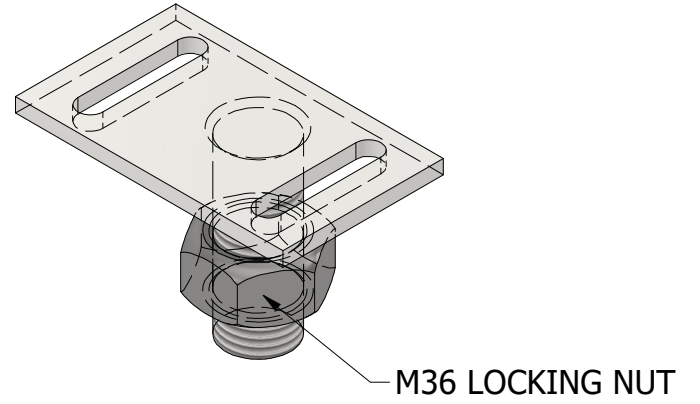


ISOMETRIC VIEW

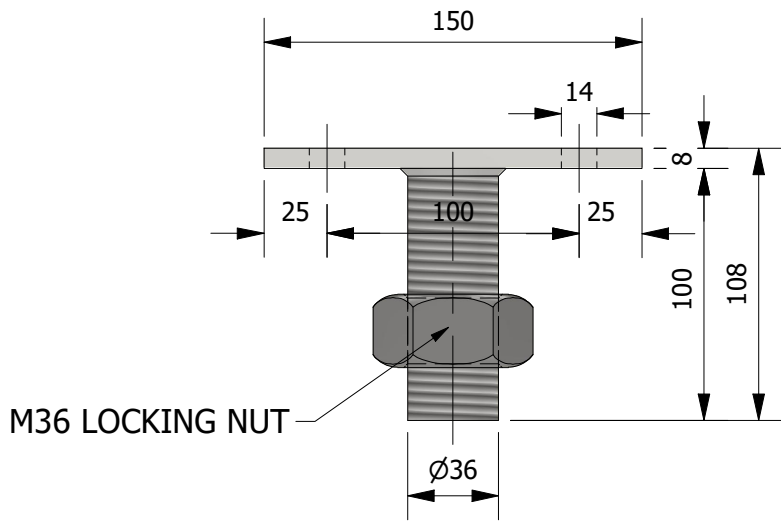
DRAWN JL			
CHECKED MA			
DATE 15/10/2024		TITLE Raised Floor & PFC 3D Assembly View - Sheet 2	
SIZE A3	DWG NO PFC_008	REV C	
SCALE 1 / 3	SHEET 9 OF 14		



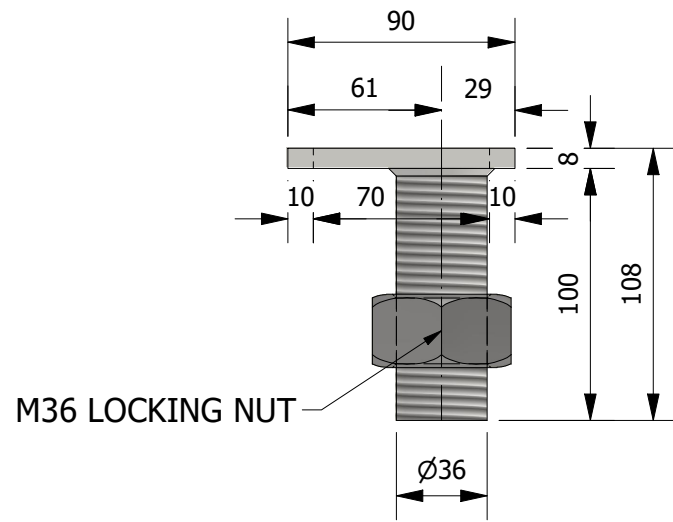
TOP VIEW




ISOMETRIC VIEW



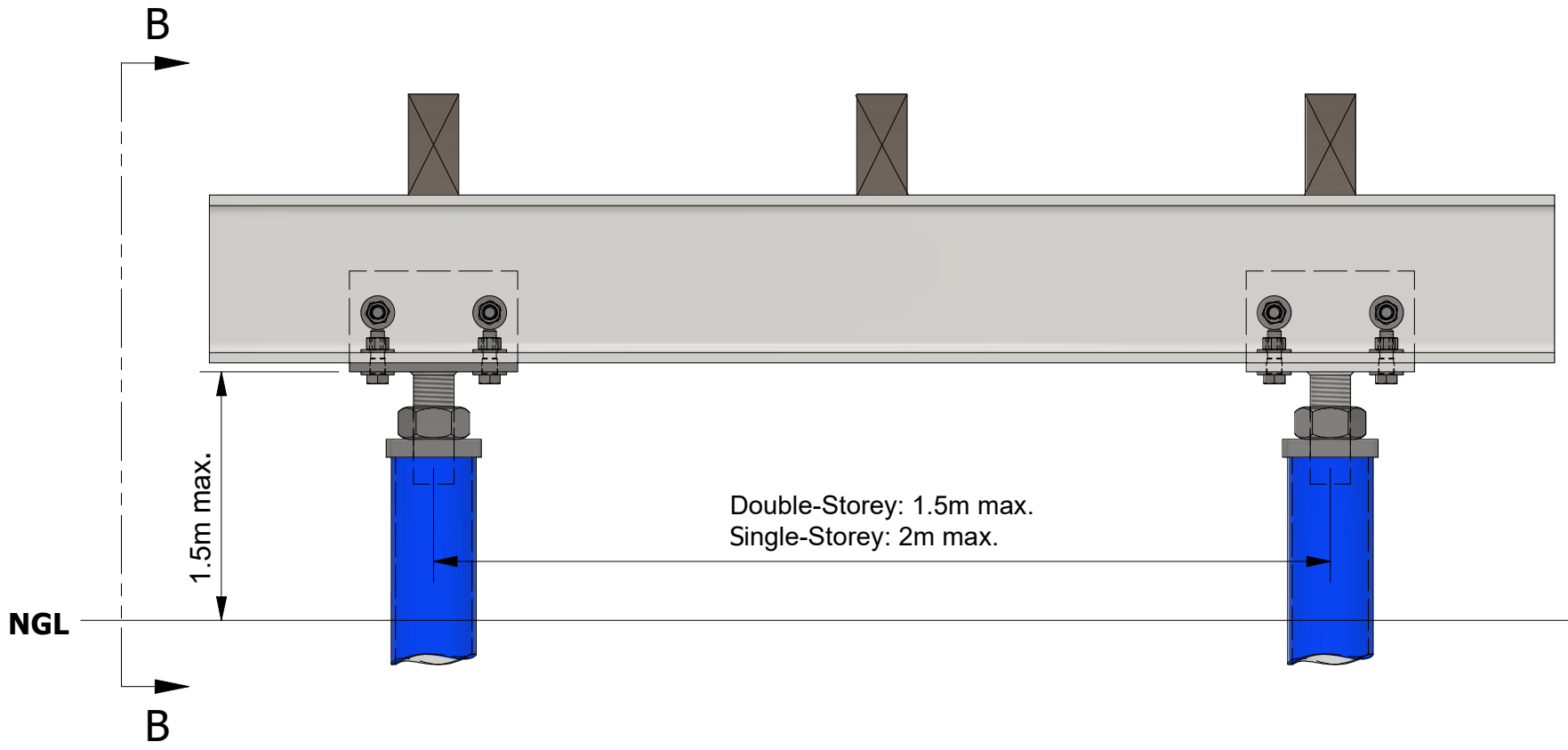
FRONT VIEW



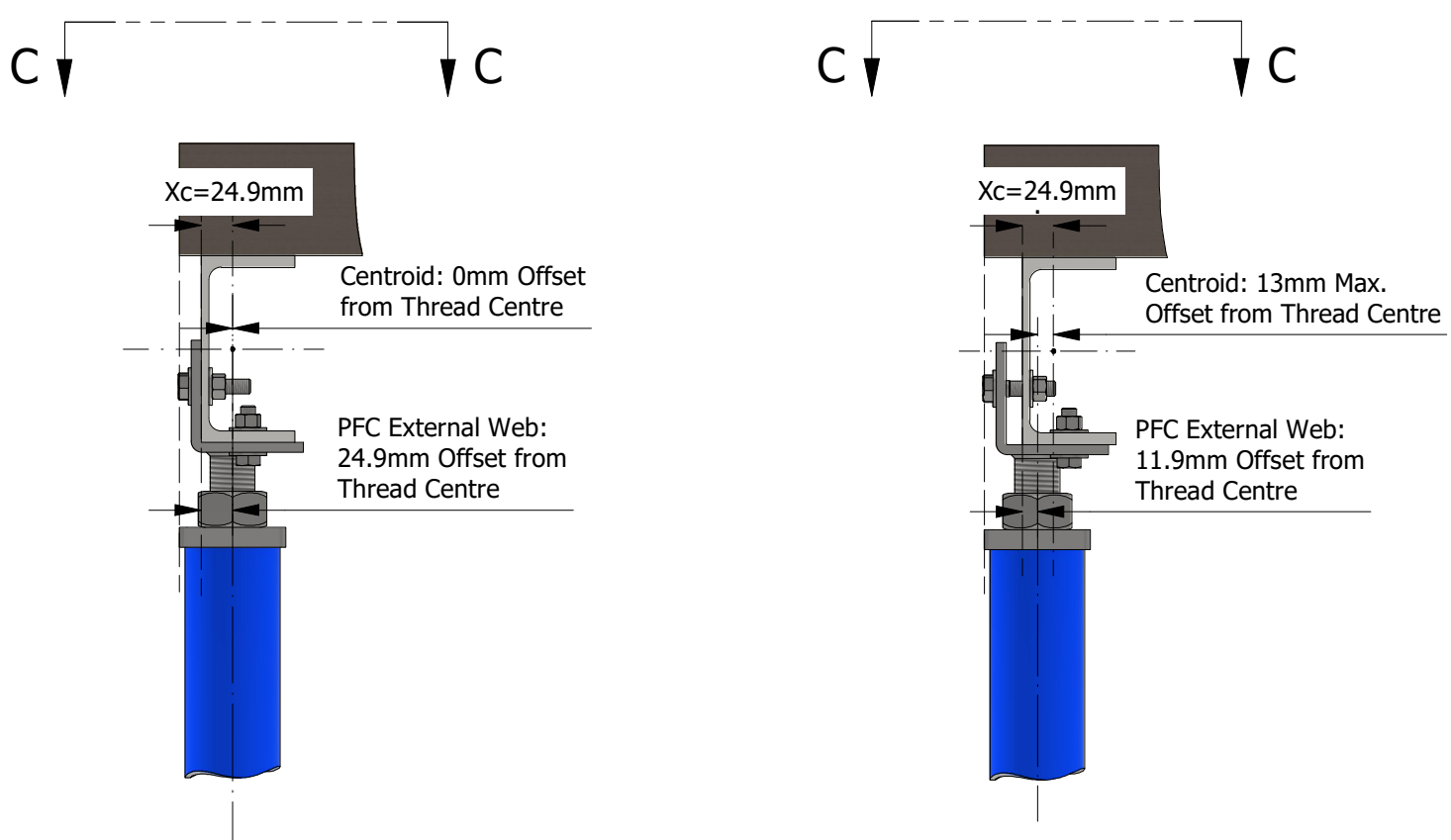
SIDE VIEW

DRAWN JL			
CHECKED MA			
DATE 15/10/2024		TITLE 150x90x8 Offset Slotted Bearer Plate	
SIZE A3	DWG NO PFC_009	REV C	
SCALE 1 / 3		SHEET 10 OF 14	


OPTION 3: 90x90x8 EQUAL ANGLE SLOTTED OFFSET BEARER PLATE CONNECTOR

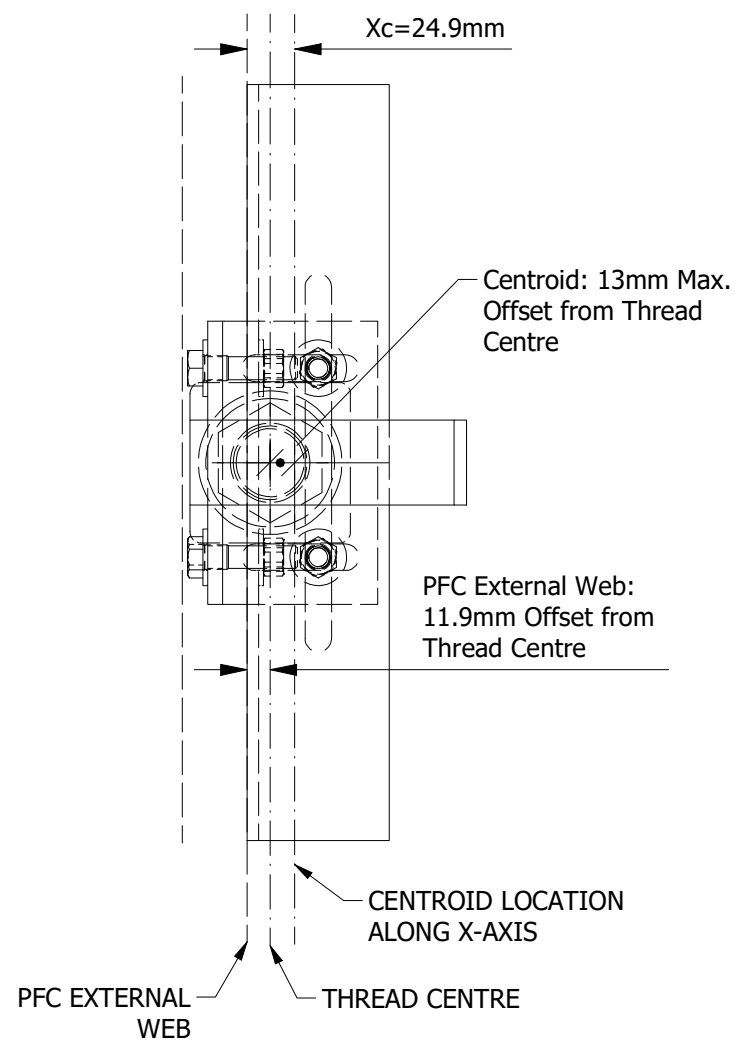
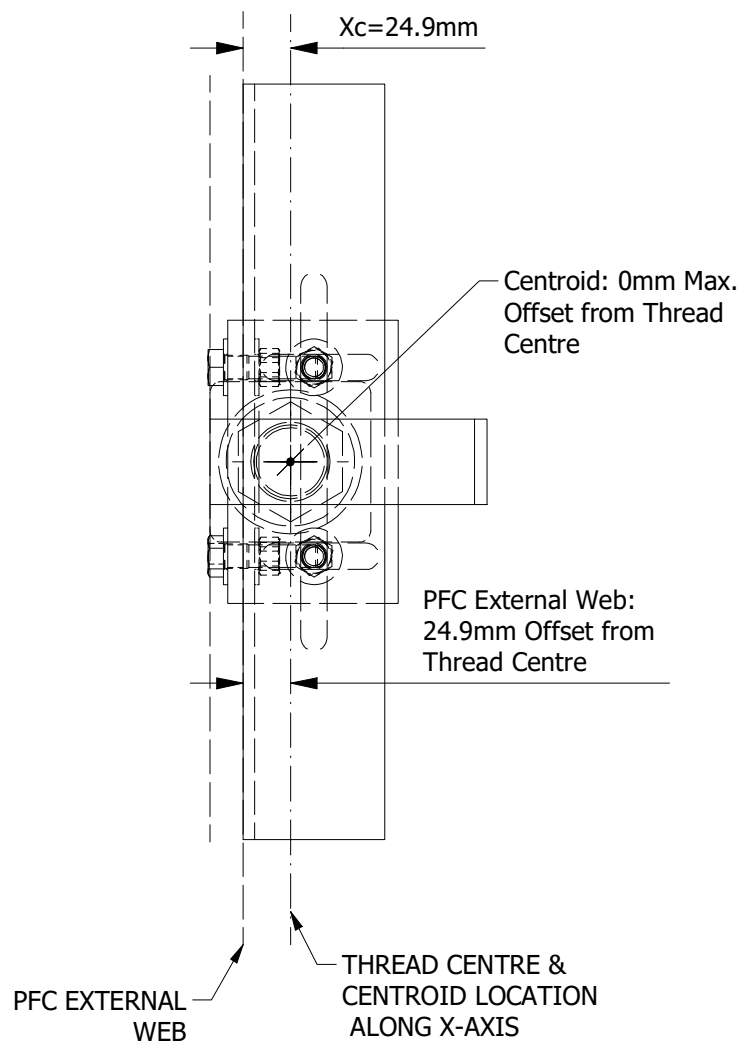


A-A VIEW




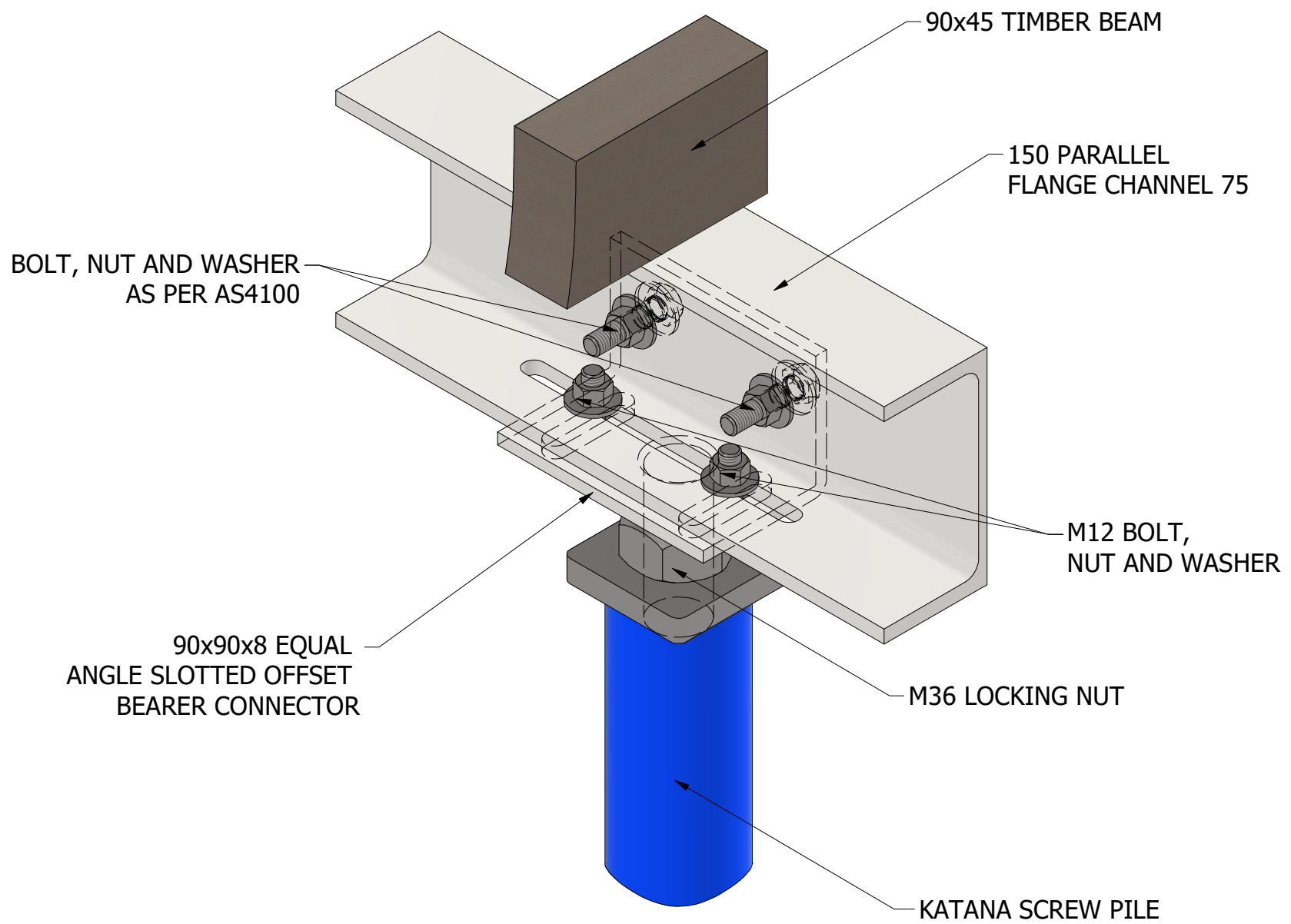
B-B VIEW

DRAWN JL			
CHECKED MA			
DATE 15/10/2024		TITLE Raised Floor & PFC Section Views - Sheet 5	
SIZE A3	DWG NO PFC_010	REV C	
SCALE 1 / 6		SHEET 11 OF 14	




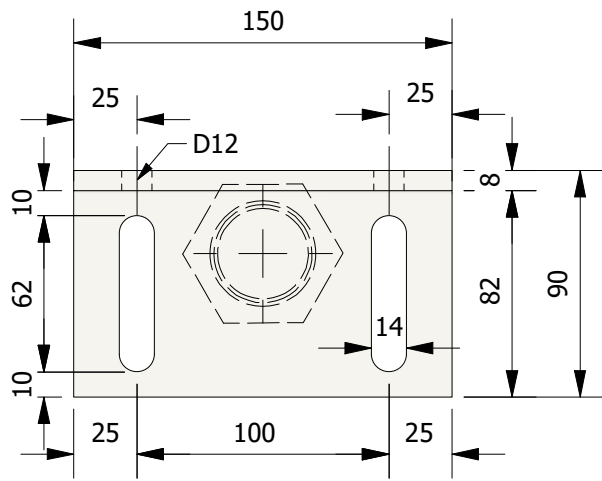
C-C VIEW

DRAWN JL			
CHECKED MA			
DATE 15/10/2024		TITLE Raised Floor & PFC Section Views - Sheet 6	
SIZE A3	DWG NO PFC_011	REV C	
SCALE 1 / 4		SHEET 12 OF 14	

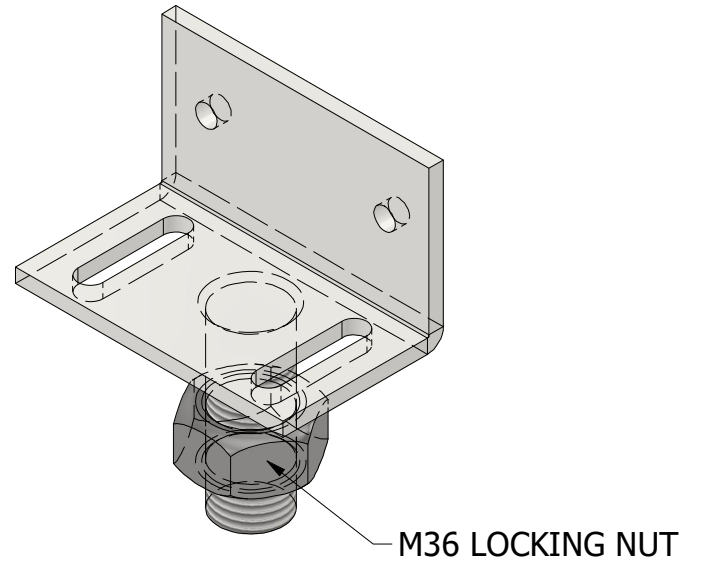


ISOMETRIC VIEW

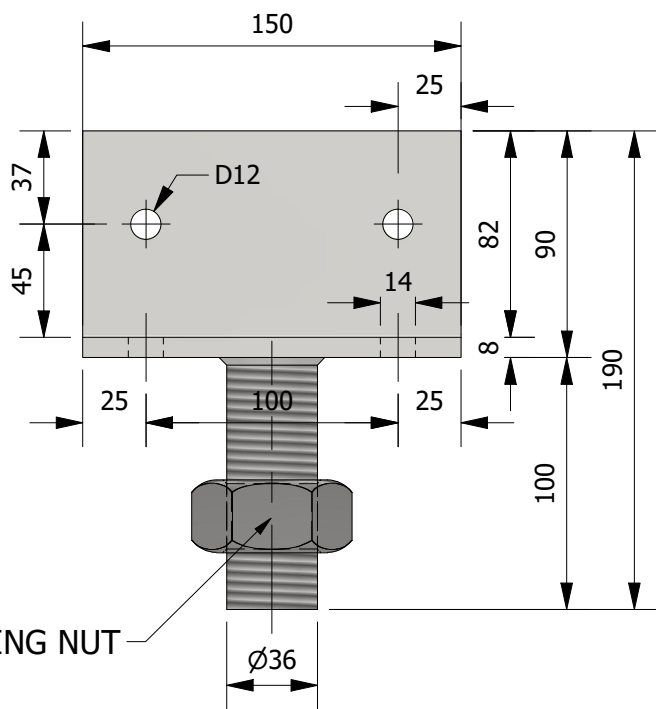
DRAWN JL			
CHECKED MA			
DATE 15/10/2024		TITLE Raised Floor & PFC 3D Assembly View - Sheet 3	
SIZE A3	DWG NO PFC_012	REV C	
SCALE 1 / 3		SHEET 13 OF 14	



TOP VIEW

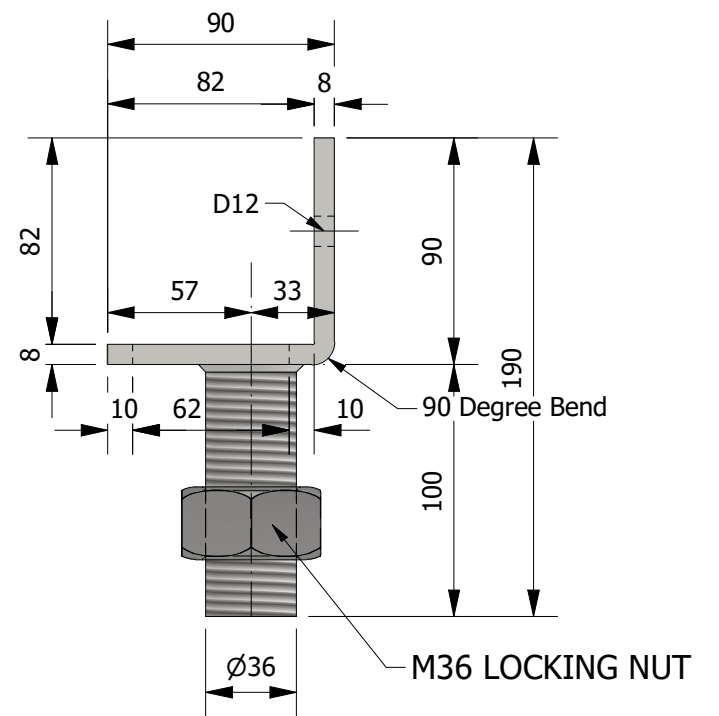


ISOMETRIC VIEW



M36 LOCKING NUT


FRONT VIEW



M36 LOCKING NUT

SIDE VIEW

DRAWN JL	
CHECKED MA	
DATE 15/10/2024	

		
TITLE 90x90x8 Equal Angle Slotted Offset Bearer Connector		
SIZE A3	DWG NO PFC_013	REV C
SCALE 1 / 3	SHEET 14 OF 14	