


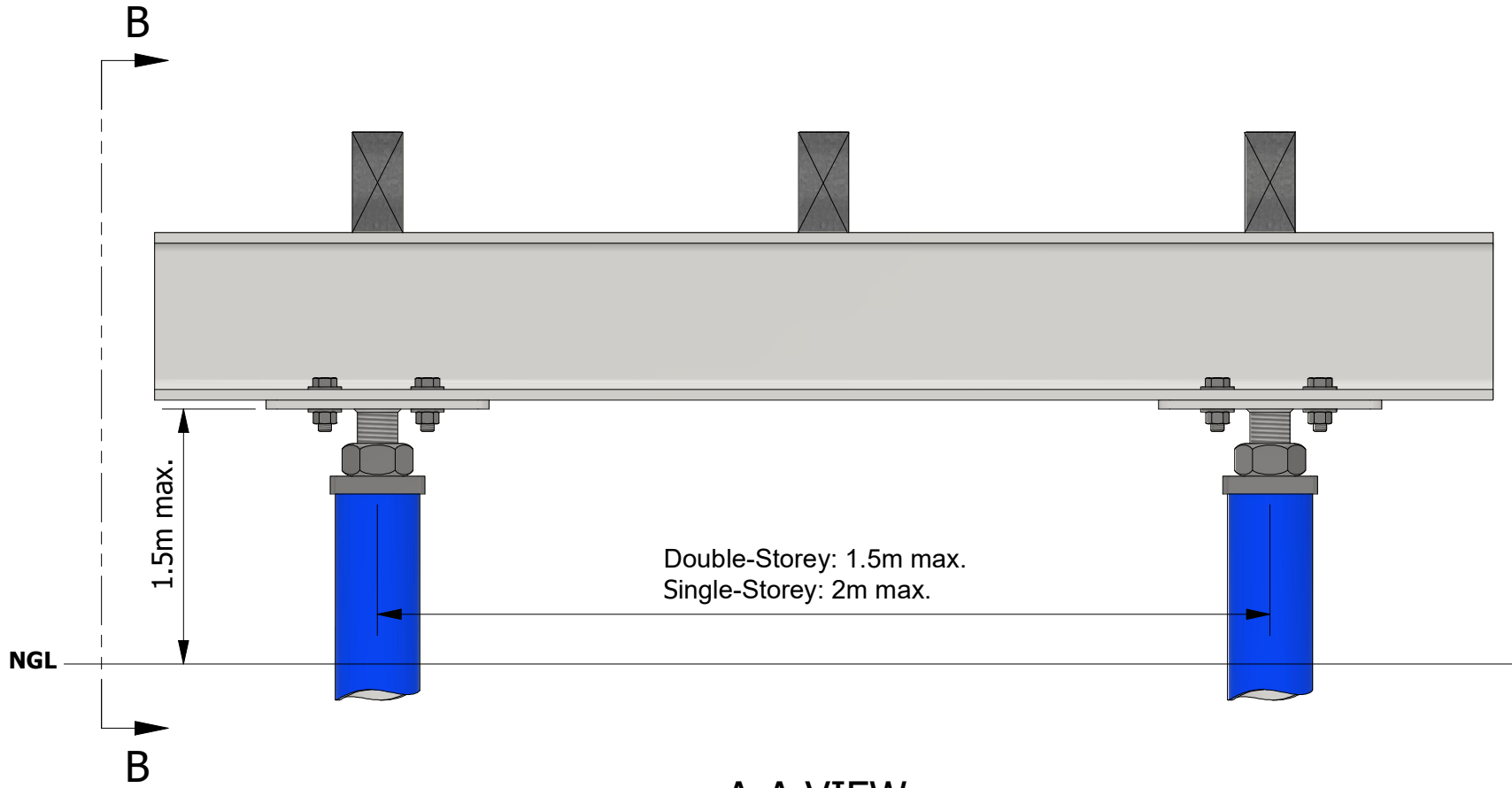
PLAN VIEW

KEY ASPECTS TO NOTE:

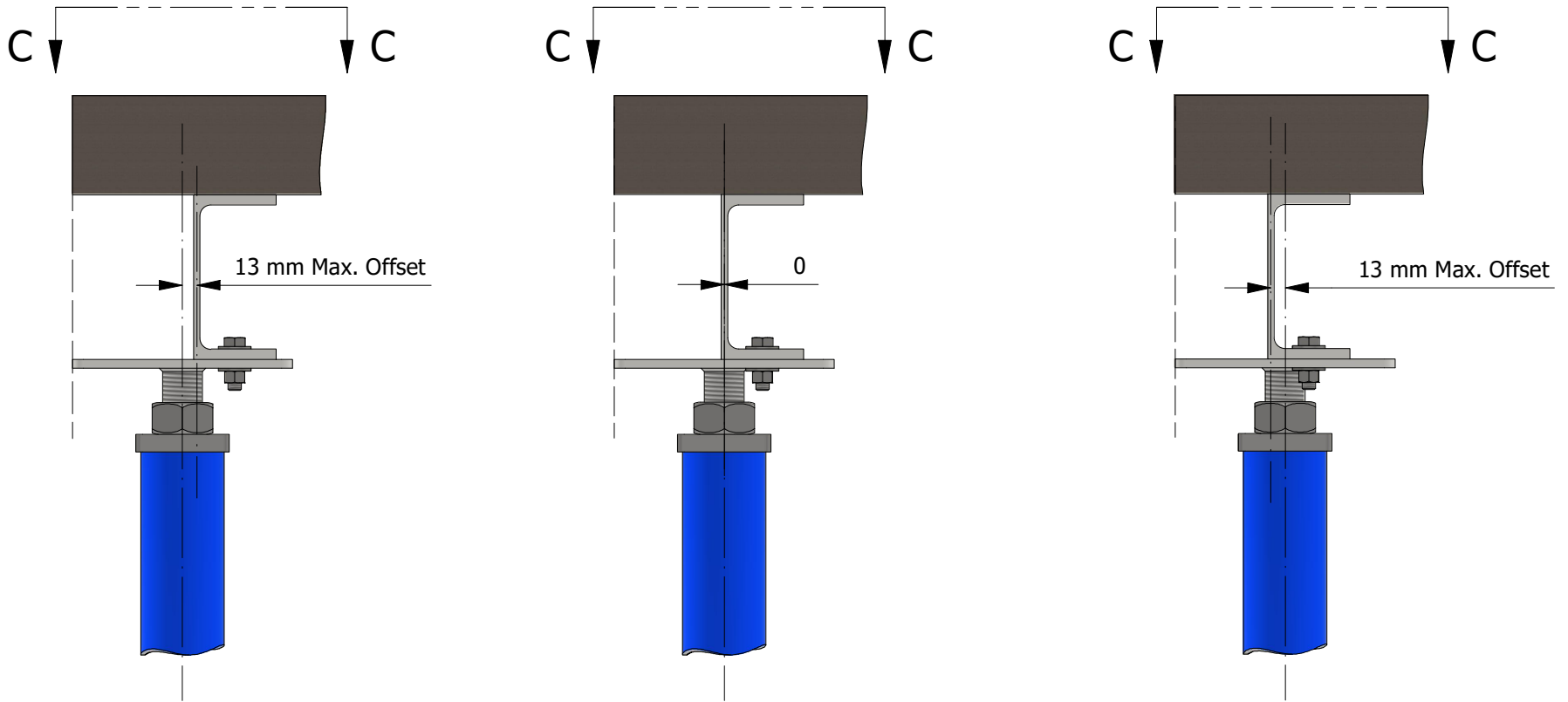
- The Katana Raised Floor System allows for a maximum SWL of 80kN.
- Ensure all loads are positioned at the centre of the piles, with a permissible offset of $\pm 13\text{mm}$.
- A lock nut must be installed on each pile within the raised floor systems.
- A general guideline is to maintain Katana Raised Floor Systems at a height no greater than 1.5m above the ground.
- For double-storey structures, the Katana Raised Floor Pile spacing should not exceed 1.5m, while for single-storey buildings, it should not exceed 2m.
- The default coating system for the Katana Raised Floor System exposed to environments with corrosivity factors C1, C2 and C3 is galvanising.
- Collaborate with Katana to ensure the appropriate setout of piles and confirm their locations during and after installation completion.

DRAWN		15/04/2024			
JL					
CHECKED		15/04/2024		TITLE Typical Raised Floor System Plan	
MA					
SIZE	DWG NO	REV			
A3	PFC_000	A			
SCALE	1 / 12	SHEET 1 OF 14			


OPTION 1: 200x200 SLOTTED BEARER PLATE

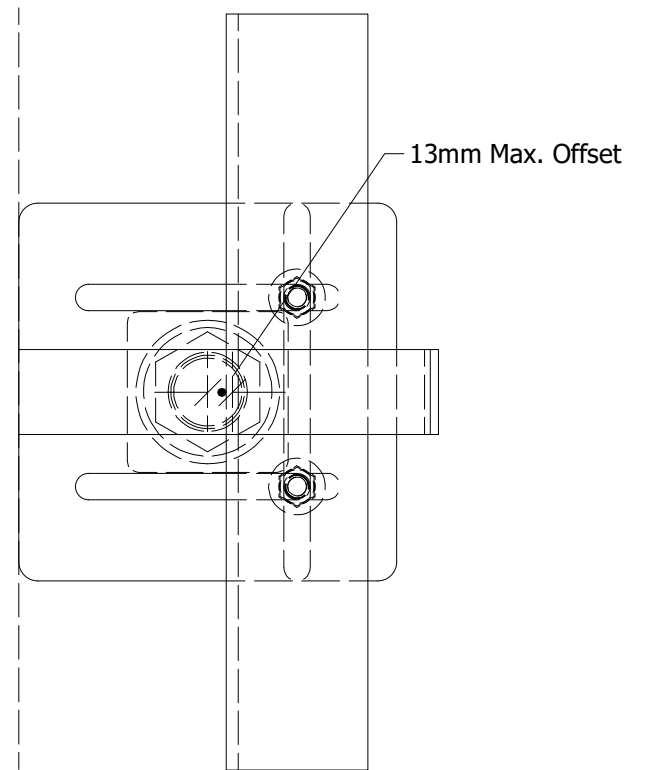
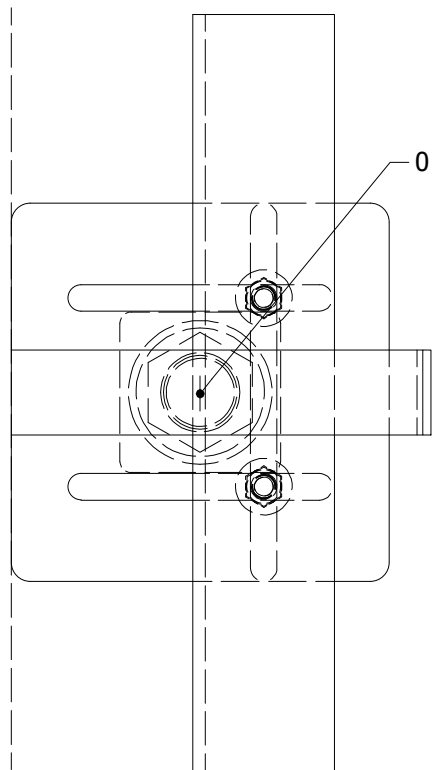
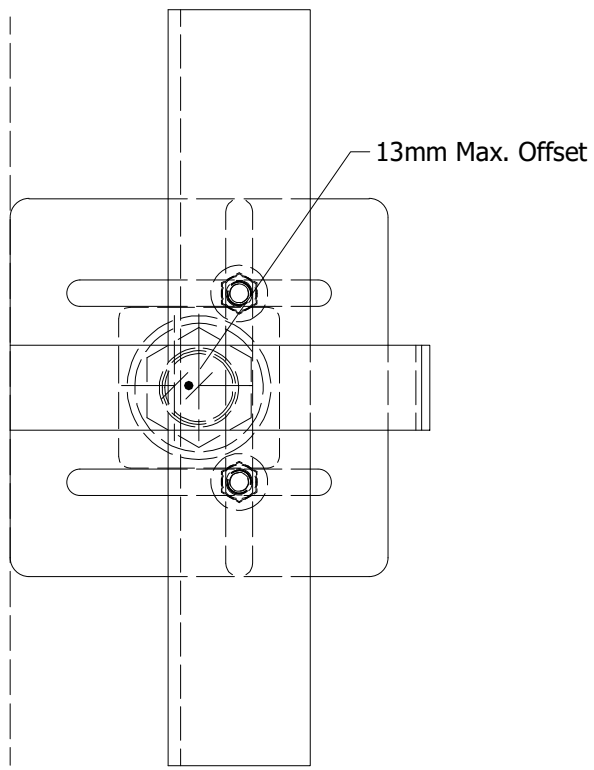


A-A VIEW




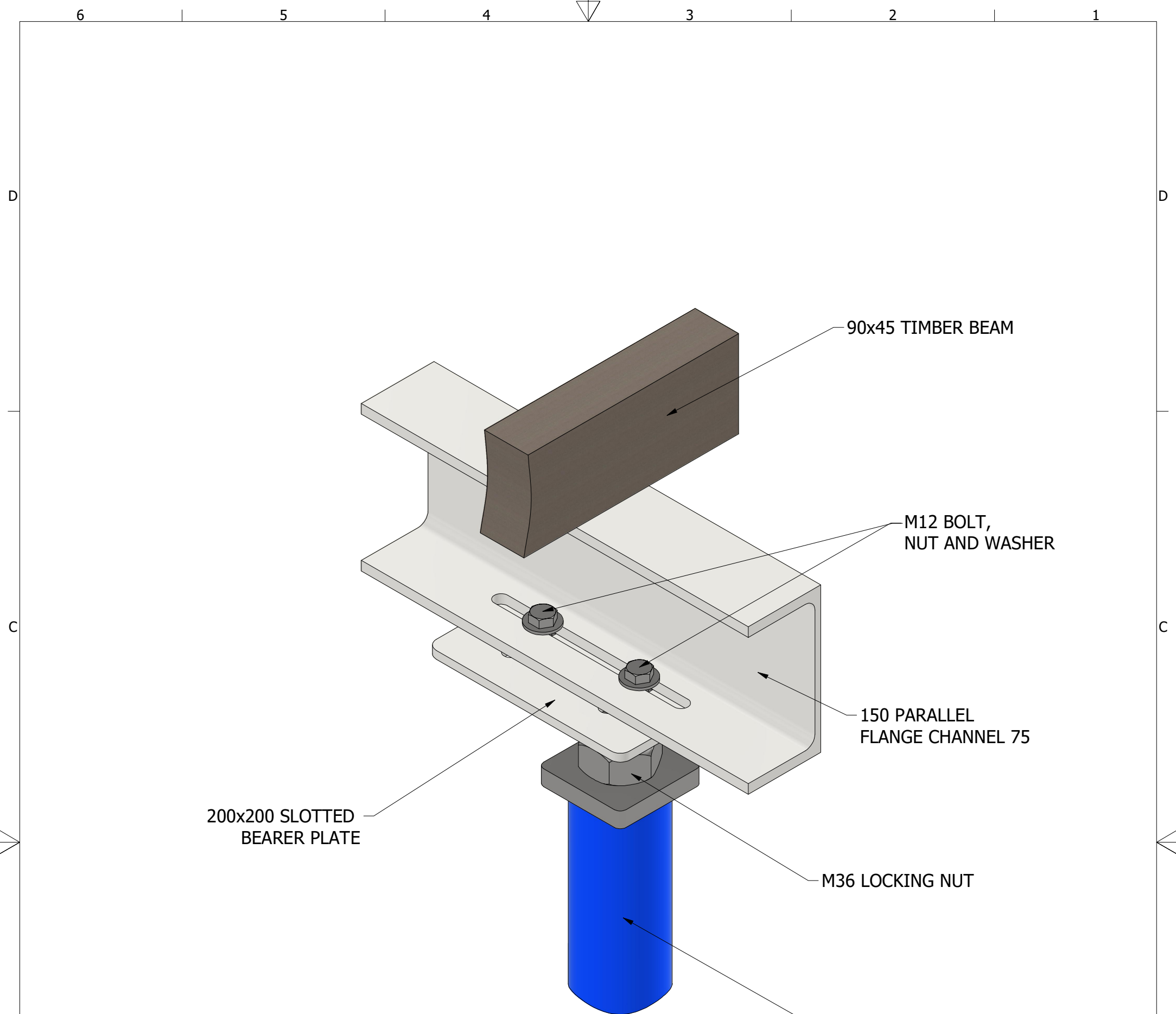
B-B VIEW

DRAWN		8/05/2024			
JL					
CHECKED		8/05/2024		TITLE	
MA				Raised Floor & PFC Section Views - Sheet 1	
SIZE	A3	DWG NO	PFC_001	REV	A
SCALE	1 / 6			SHEET 2 OF 14	




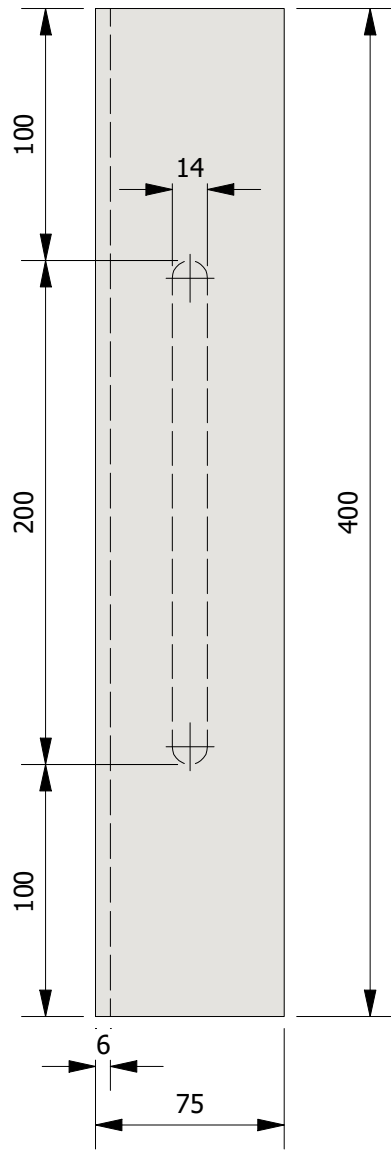
C-C VIEW

DRAWN		15/04/2024			
JL					
CHECKED		15/04/2024		TITLE	
MA				Raised Floor & PFC Section Views - Sheet 2	
SIZE		DWG NO		REV	
A3		PFC_002		A	
SCALE	1 / 4			SHEET 3 OF 14	

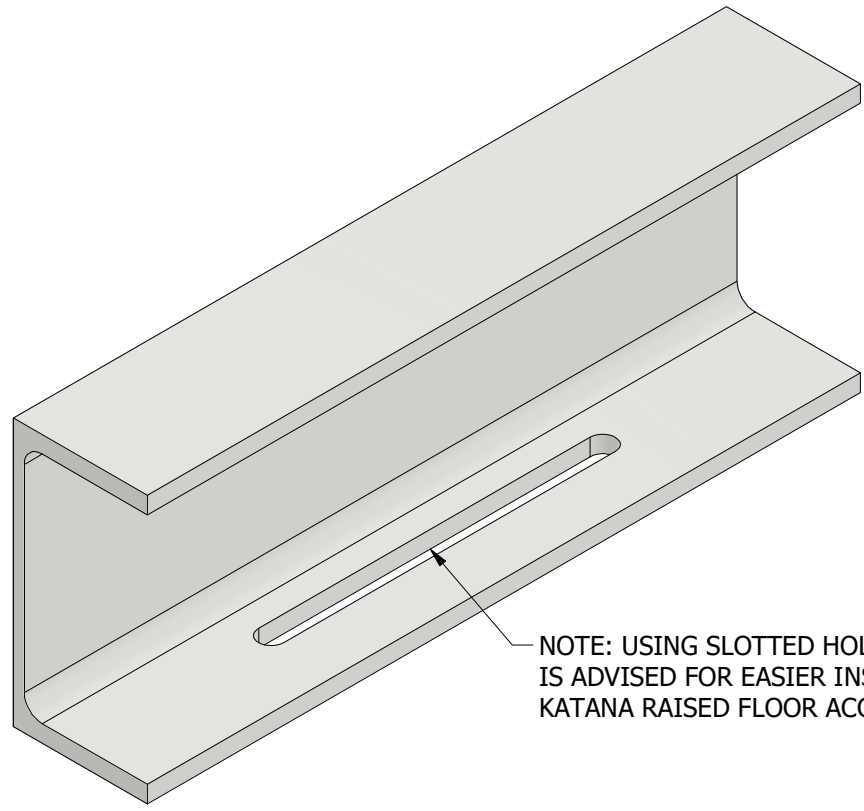


ISOMETRIC VIEW

DRAWN		8/05/2024			
JL					
CHECKED		8/05/2024		TITLE Raised Floor & PFC 3D Assembly View - Sheet 1	
MA					
SIZE		DWG NO		REV	
A3		PFC_003		A	
SCALE	1 / 3			SHEET 4 OF 14	

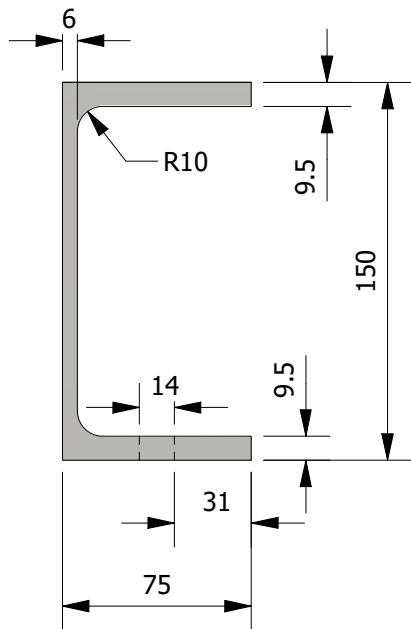


TOP VIEW

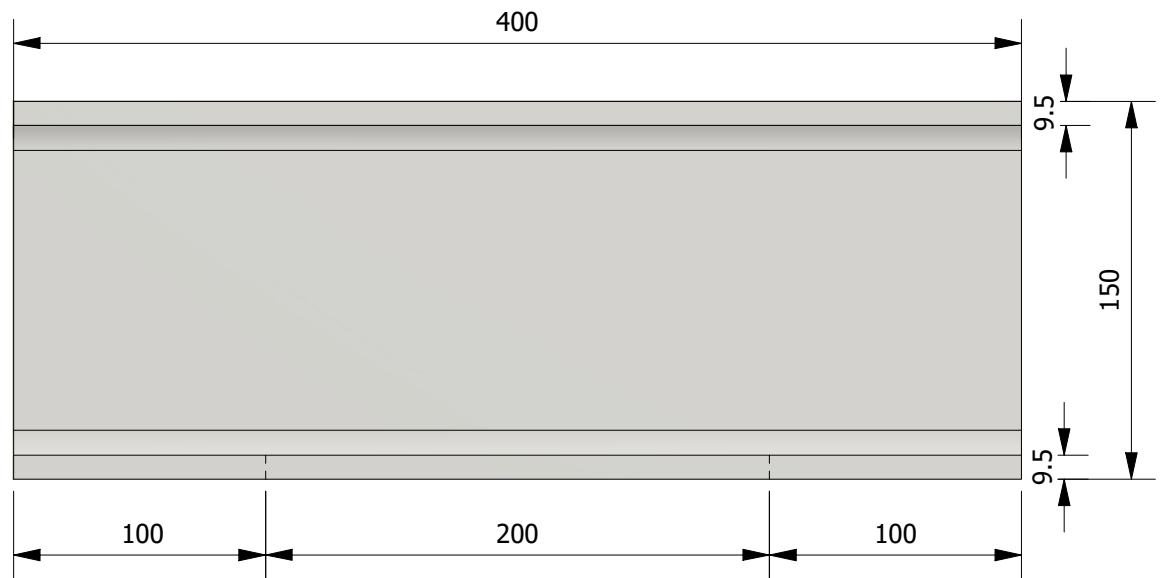


NOTE: USING SLOTTED HOLES IS ADVISED FOR EASIER INSTALLATION OF KATANA RAISED FLOOR ACCESSORIES


ISOMETRIC VIEW
(FOR 400mm LONG SECTION)

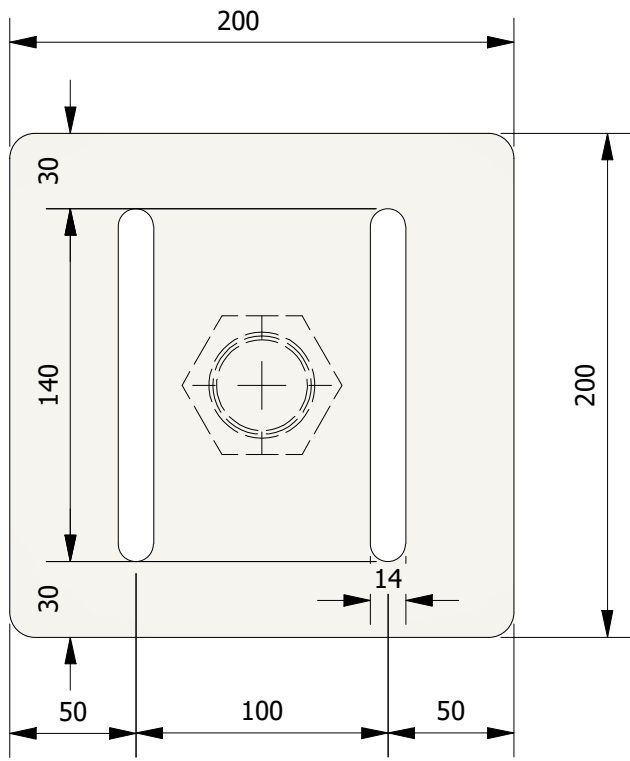


SIDE VIEW

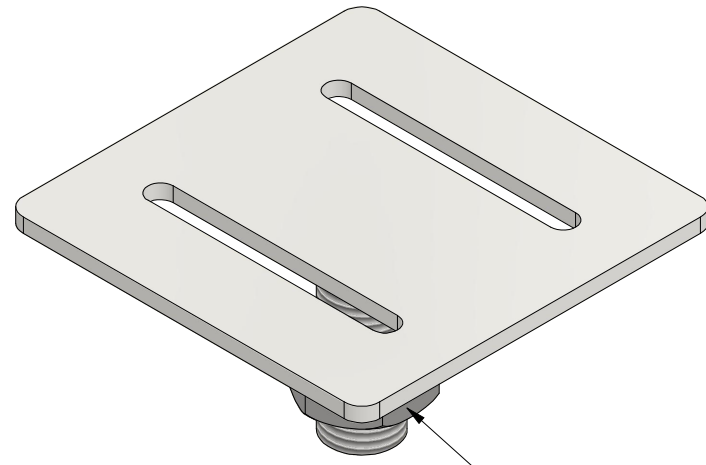


FRONT VIEW

DRAWN		8/05/2024			
JL		8/05/2024			
CHECKED		8/05/2024		TITLE	
MA		8/05/2024		150 Parallel Flange Channel 75	
SIZE	DWG NO	REV			
A3	PFC_004	A			
SCALE	1 / 3	SHEET 5 OF 14			

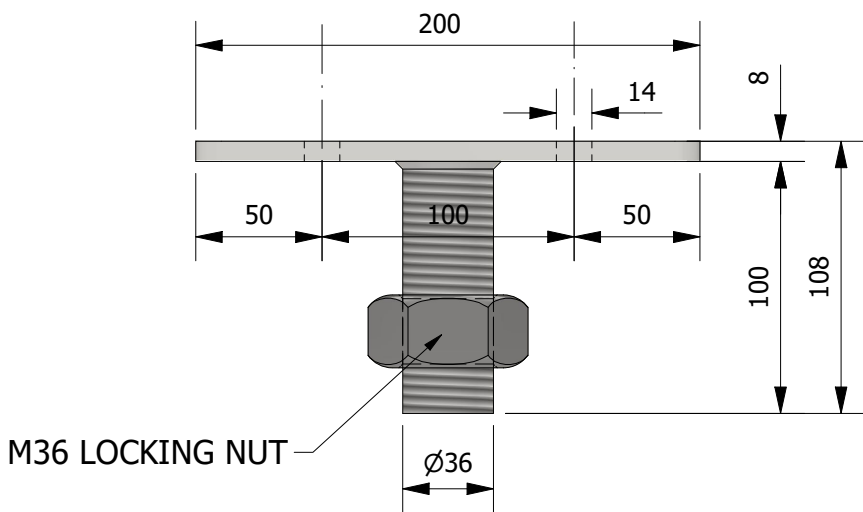


TOP VIEW



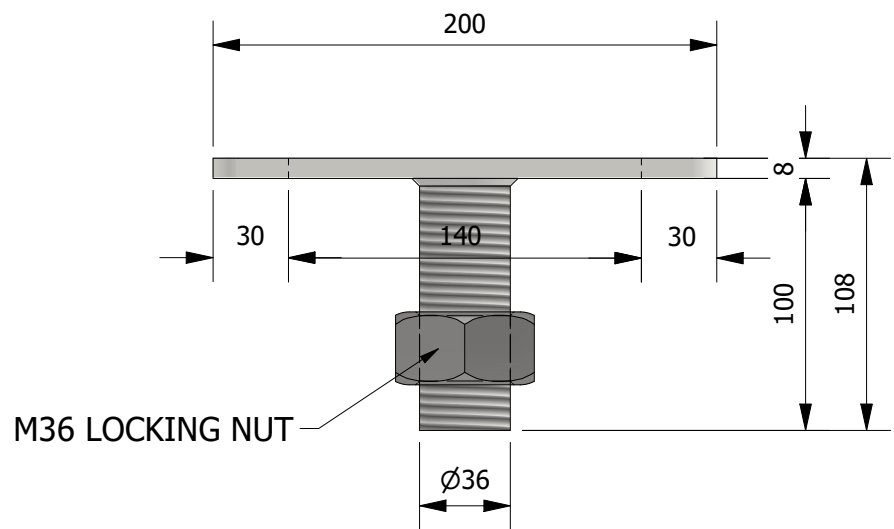
M36 LOCKING NUT

ISOMETRIC VIEW




M36 LOCKING NUT

FRONT VIEW

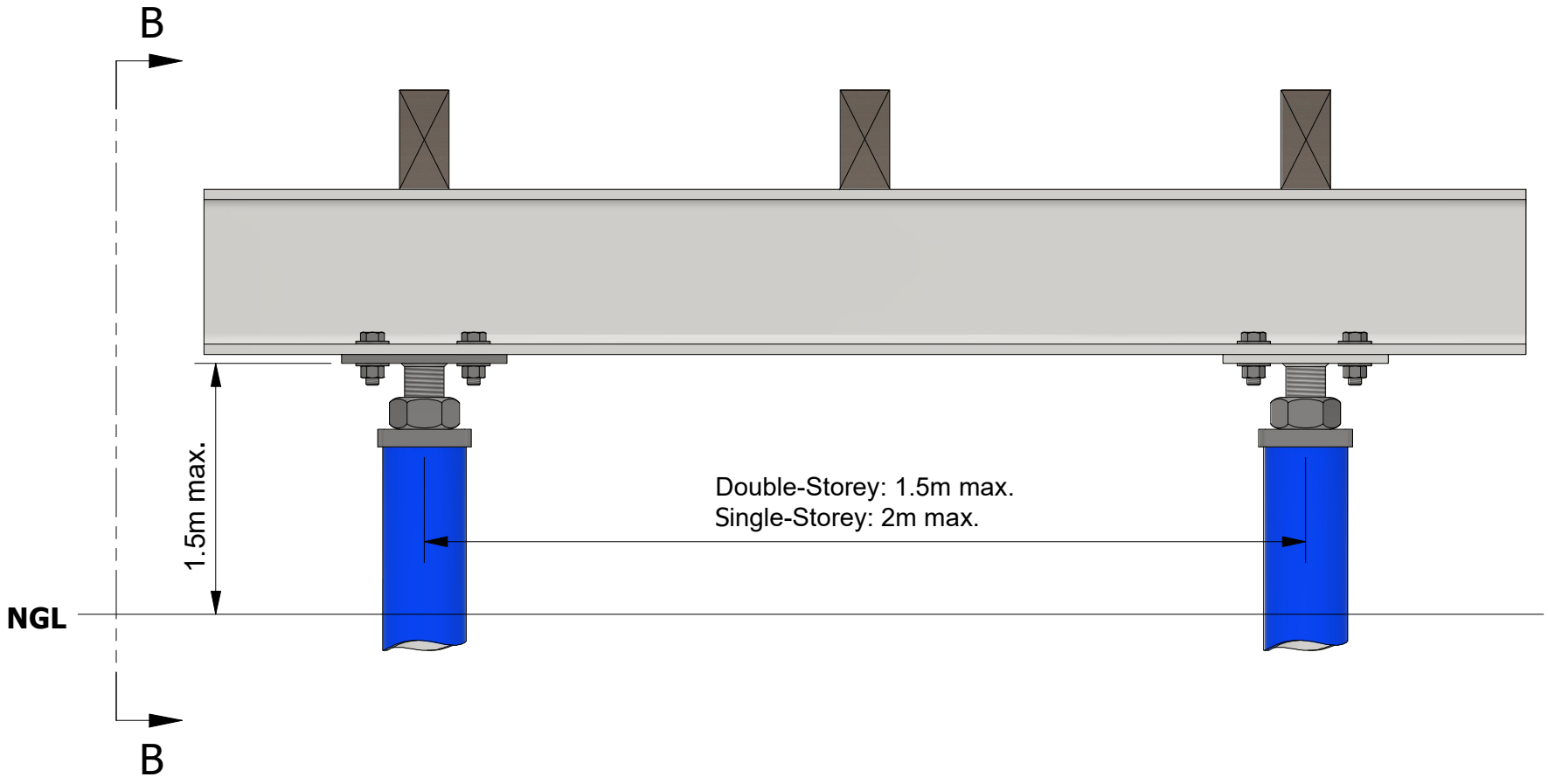


M36 LOCKING NUT

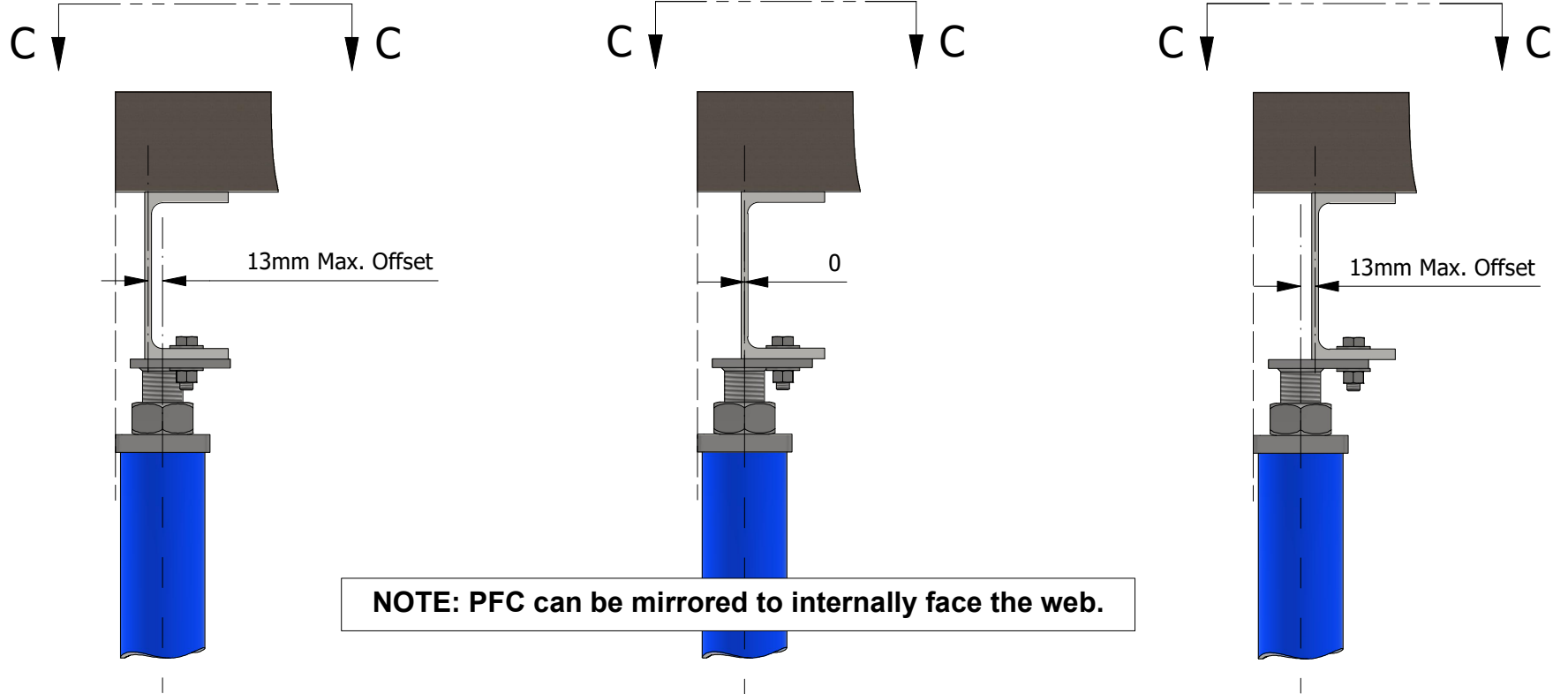
SIDE VIEW

DRAWN		9/05/2024			
JL					
CHECKED		9/05/2024		TITLE	
MA				200x200 Slotted Bearer Plate	
SIZE	DWG NO	REV			
A3	PFC_005	A			
SCALE	1 / 3	SHEET 6 OF 14			


OPTION 2: 150x100 OFFSET SLOTTED BEARER PLATE



A-A VIEW



B-B VIEW

DRAWN		10/05/2024			
JL					
CHECKED		10/05/2024		TITLE	
MA				Raised Floor & PFC Section Views - Sheet 3	
SIZE		DWG NO		REV	
A3		PFC_006		A	
SCALE	1 / 6			SHEET 7 OF 11	

6 5 4 3 2 1

D

D

C

C

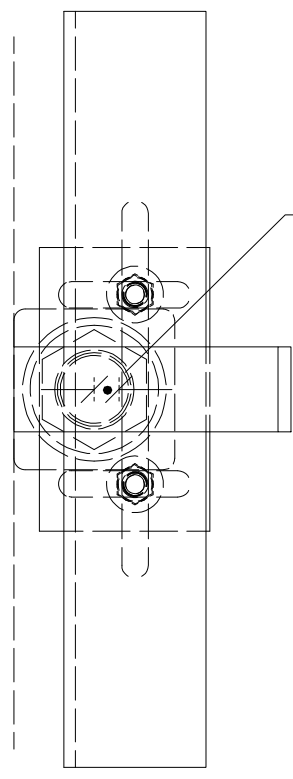
B

B

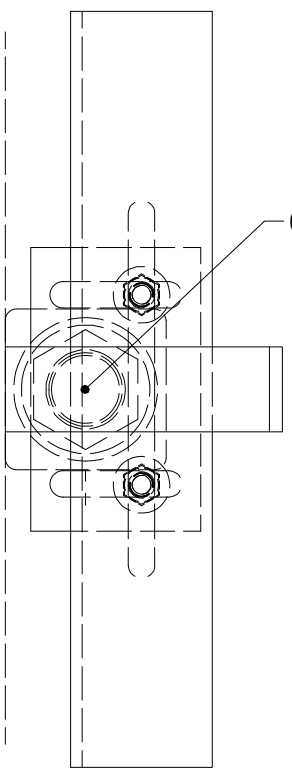
A

A

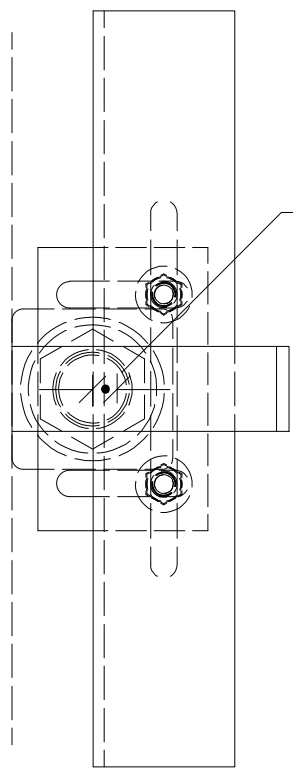
6 5 4 3 2 1



13mm Max. Offset




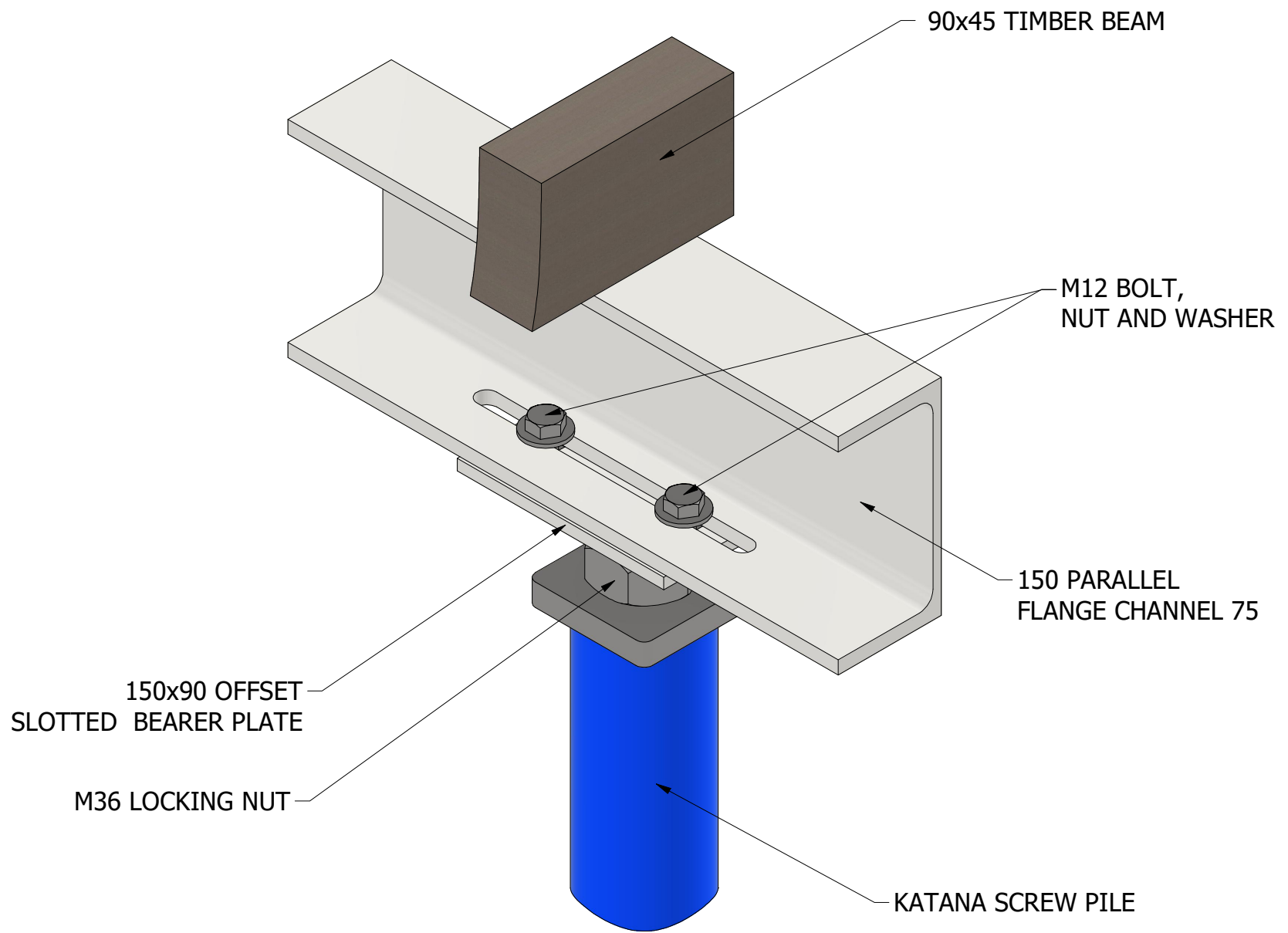
0




13mm Max. Offset

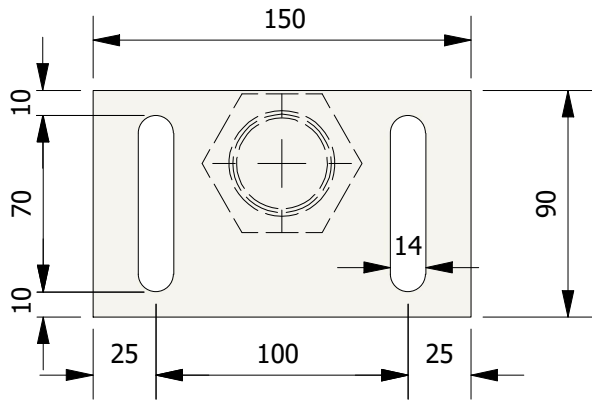
C-C VIEW

DRAWN		8/05/2024			
JL					
CHECKED		8/05/2024		TITLE	
MA				Raised Floor & PFC Section Views - Sheet 4	
SIZE		DWG NO		REV	
A3		PFC_007		A	
SCALE	1 / 4		2	SHEET 8 OF 14	1

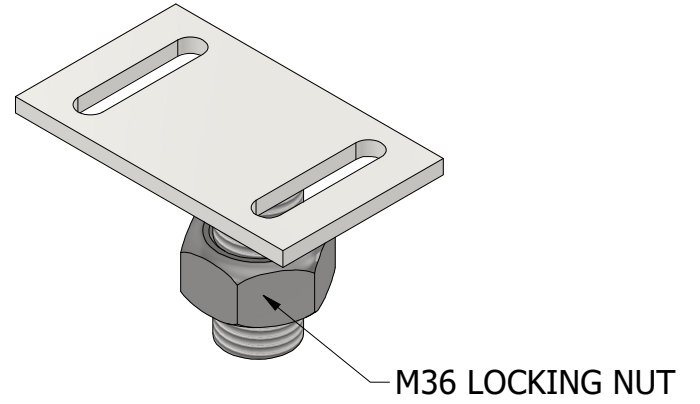


ISOMETRIC VIEW

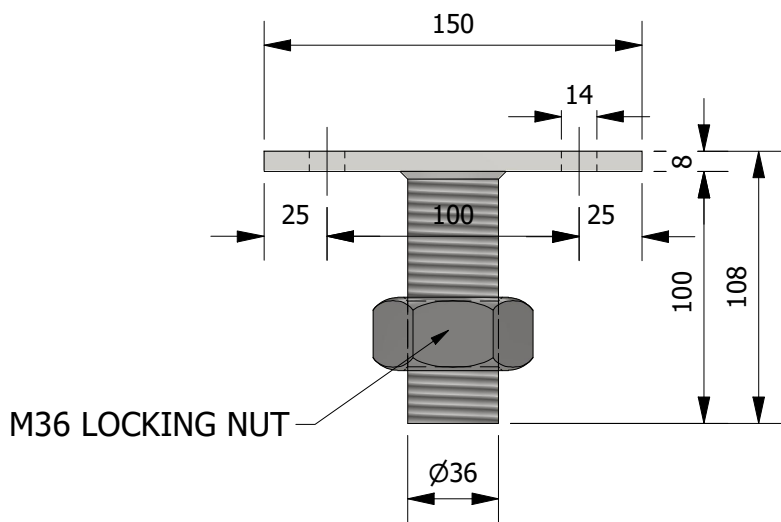
DRAWN		8/05/2024			
JL					
CHECKED		8/05/2024		TITLE Raised Floor & PFC 3D Assembly View - Sheet 2	
MA					
SIZE		DWG NO		REV	
A3		PFC_008		A	
SCALE	1 / 3			SHEET 9 OF 14	



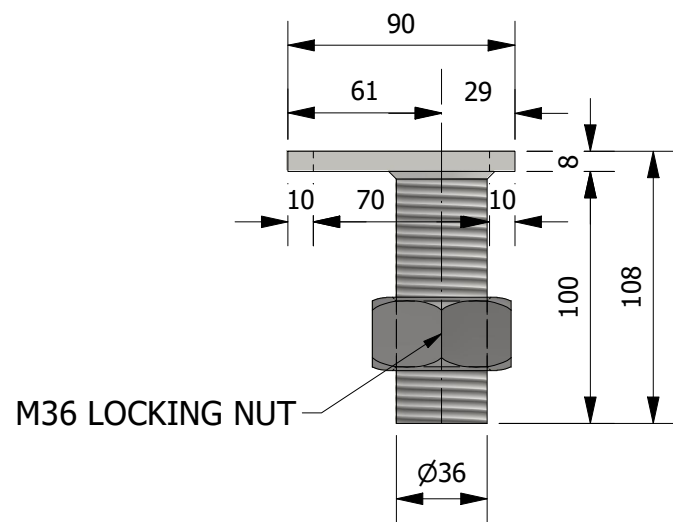
TOP VIEW




ISOMETRIC VIEW



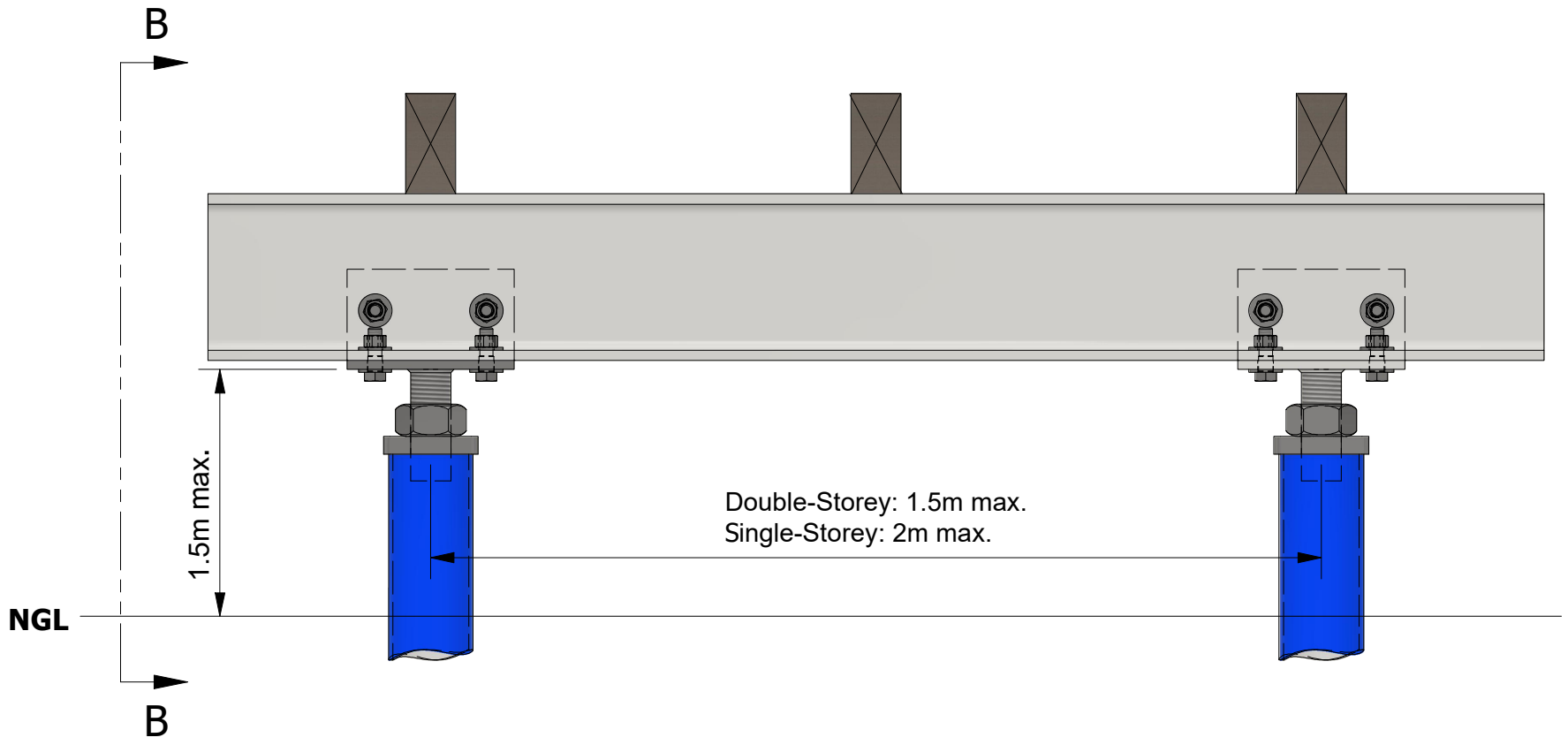
FRONT VIEW



SIDE VIEW

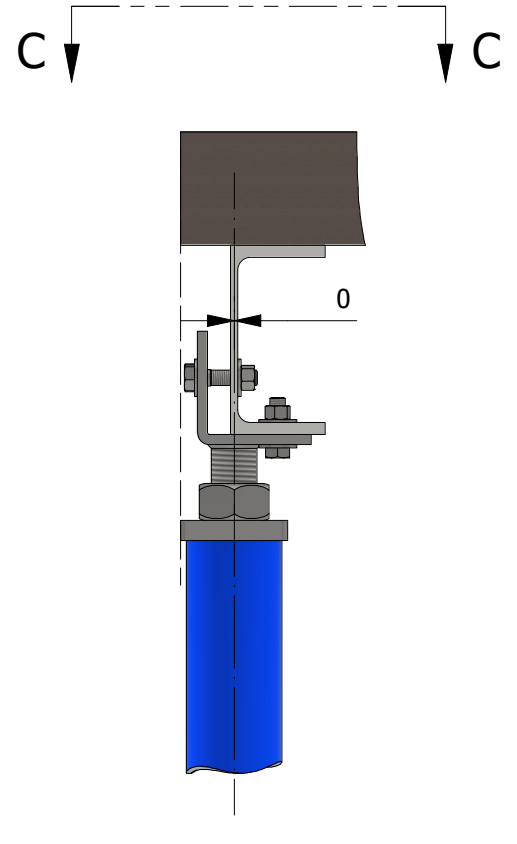
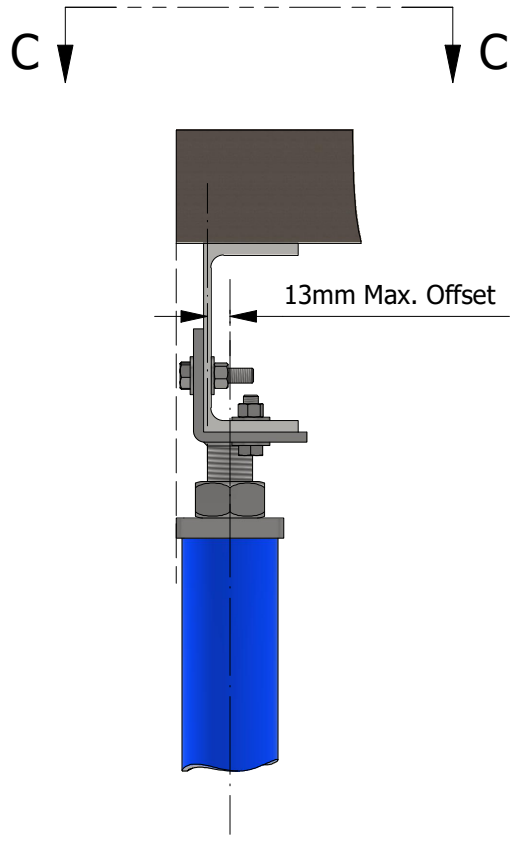
DRAWN			
JL	9/05/2024		
CHECKED		TITLE 150x90 Offset Slotted Bearer Plate	
MA	9/05/2024		
SIZE	DWG NO	REV	
A3	PFC_009	A	
SCALE	1 / 3	SHEET	10 OF 14

OPTION 3: 90x90x8 (150 LONG) EQUAL ANGLE SLOTTED OFFSET BEARER PLATE CONNECTOR




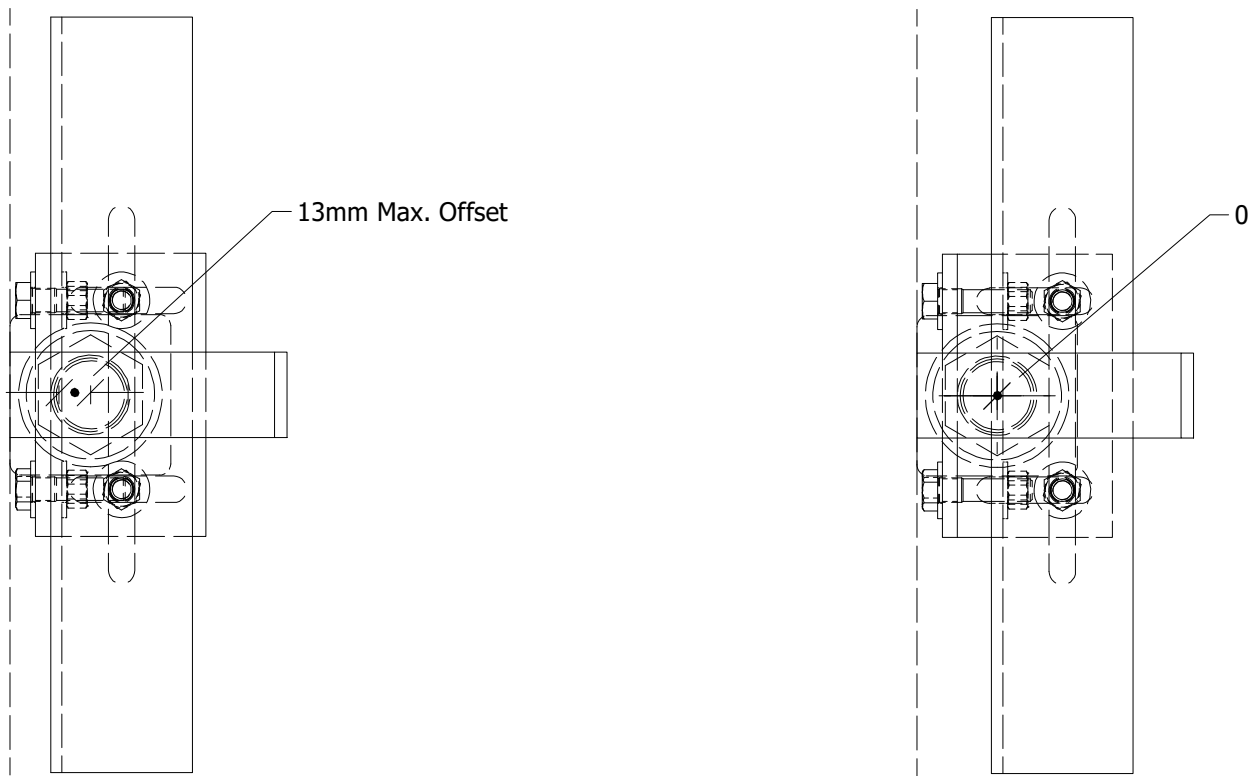
Double-Storey: 1.5m max.
Single-Storey: 2m max.

A-A VIEW



B-B VIEW


DRAWN		29/05/2024			
JL					
CHECKED		29/05/2024		TITLE	
MA				Raised Floor & PFC Section Views - Sheet 5	
SIZE		DWG NO		REV	
A3		PFC_010		A	
SCALE	1 / 6			SHEET	11 OF 14

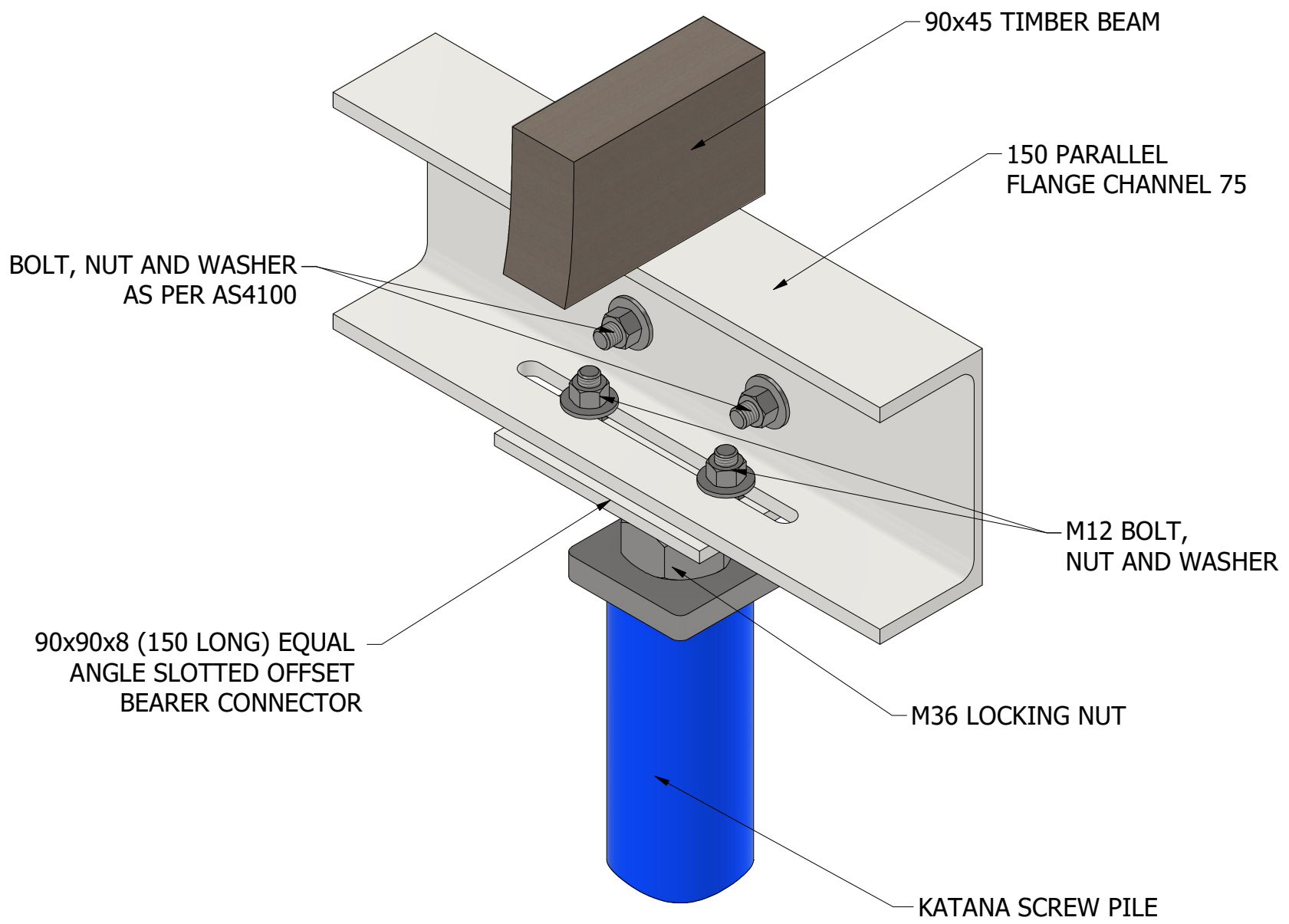


13mm Max. Offset


0

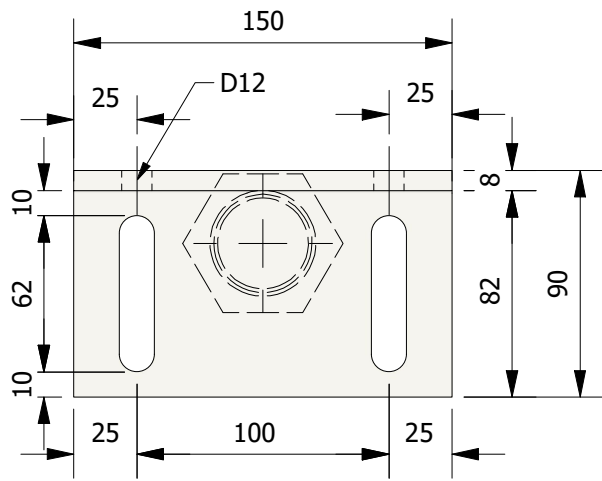
C-C VIEW

DRAWN		29/05/2024			
JL					
CHECKED		29/05/2024		TITLE	
MA				Raised Floor & PFC Section Views - Sheet 6	
SIZE		DWG NO		REV	
A3		PFC_011		A	
SCALE	1 / 4			SHEET 12 OF 14	

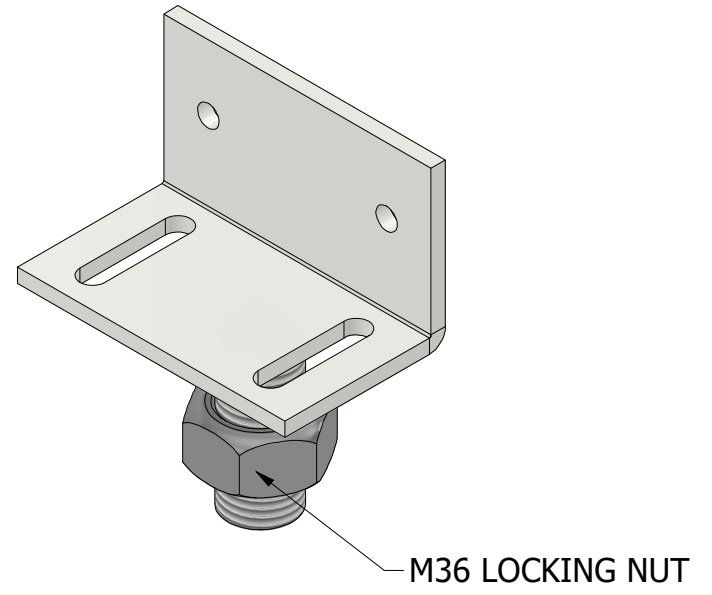


ISOMETRIC VIEW

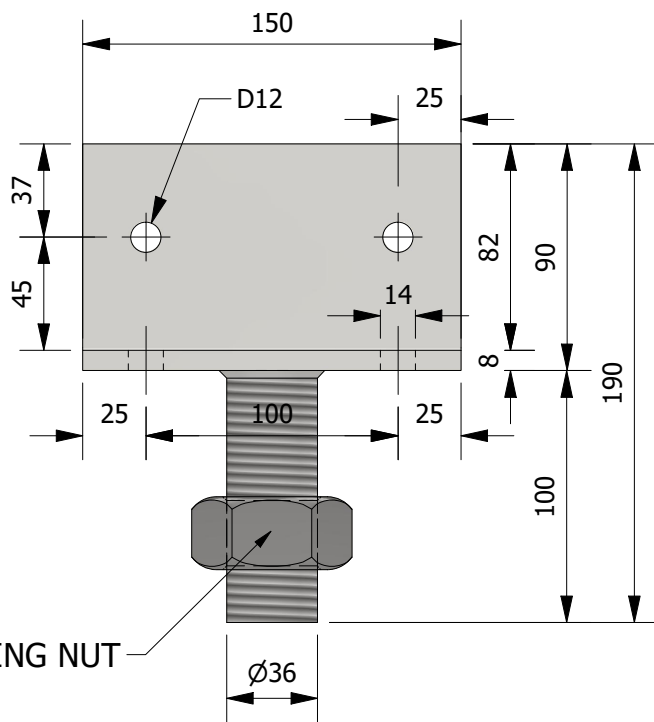
DRAWN		10/05/2024			
JL					
CHECKED		10/05/2024		TITLE	
MA				Raised Floor & PFC 3D Assembly View - Sheet 3	
SIZE		DWG NO		REV	
A3		PFC_012		A	
SCALE	1 / 3			SHEET	13 OF 14



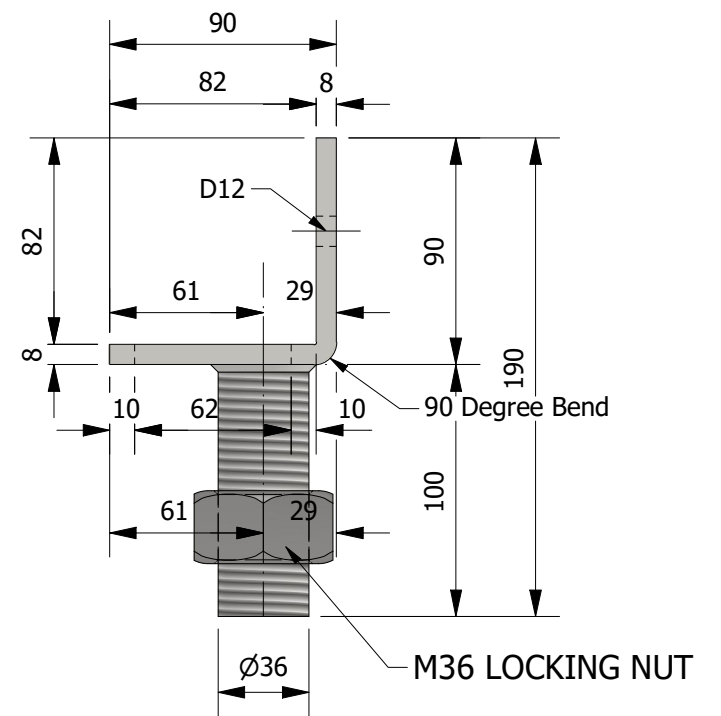
TOP VIEW




ISOMETRIC VIEW



FRONT VIEW



SIDE VIEW

DRAWN					
JL		10/05/2024			
CHECKED				TITLE 90x90x8 (150 Long) Equal Angle Slotted Offset Bearer Connector	
MA		10/05/2024			
				SIZE DWG NO REV A3 PFC_013 A	
		SCALE 1 / 3		SHEET 14 OF 14	