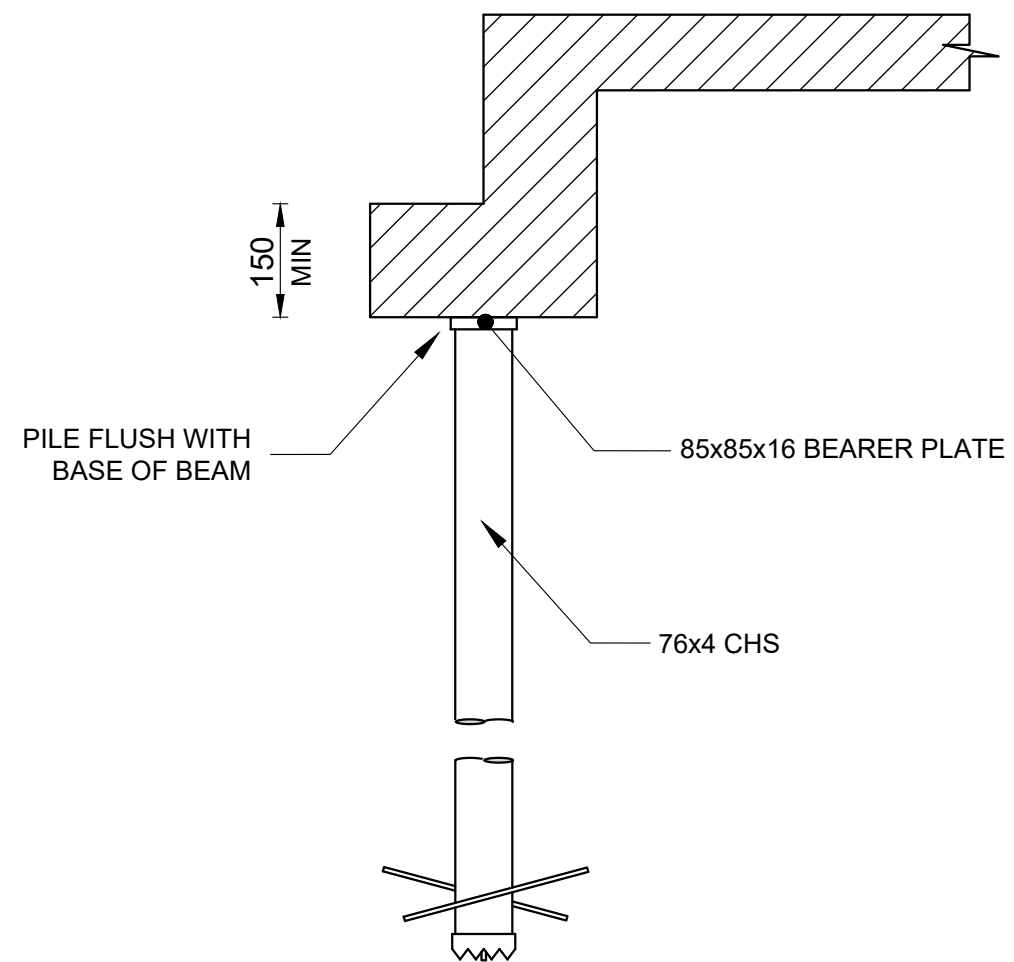


PILES UNENGAGED WITH BEAM



PILES ENGAGED WITH BEAM

